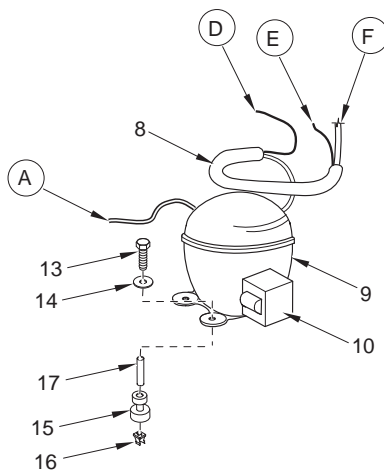
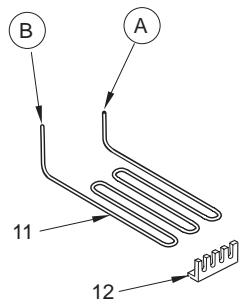
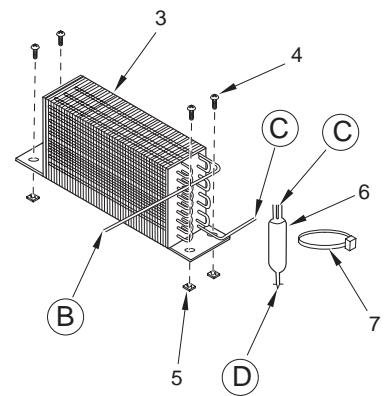
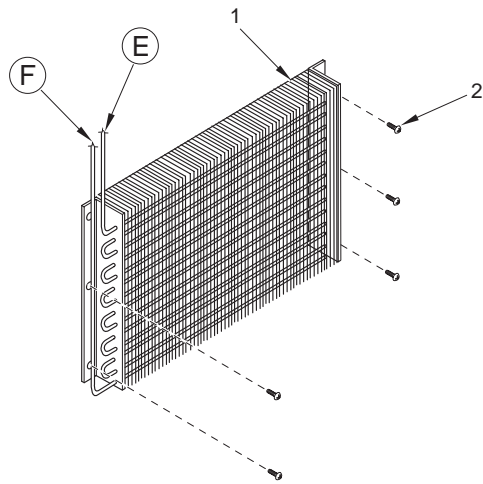
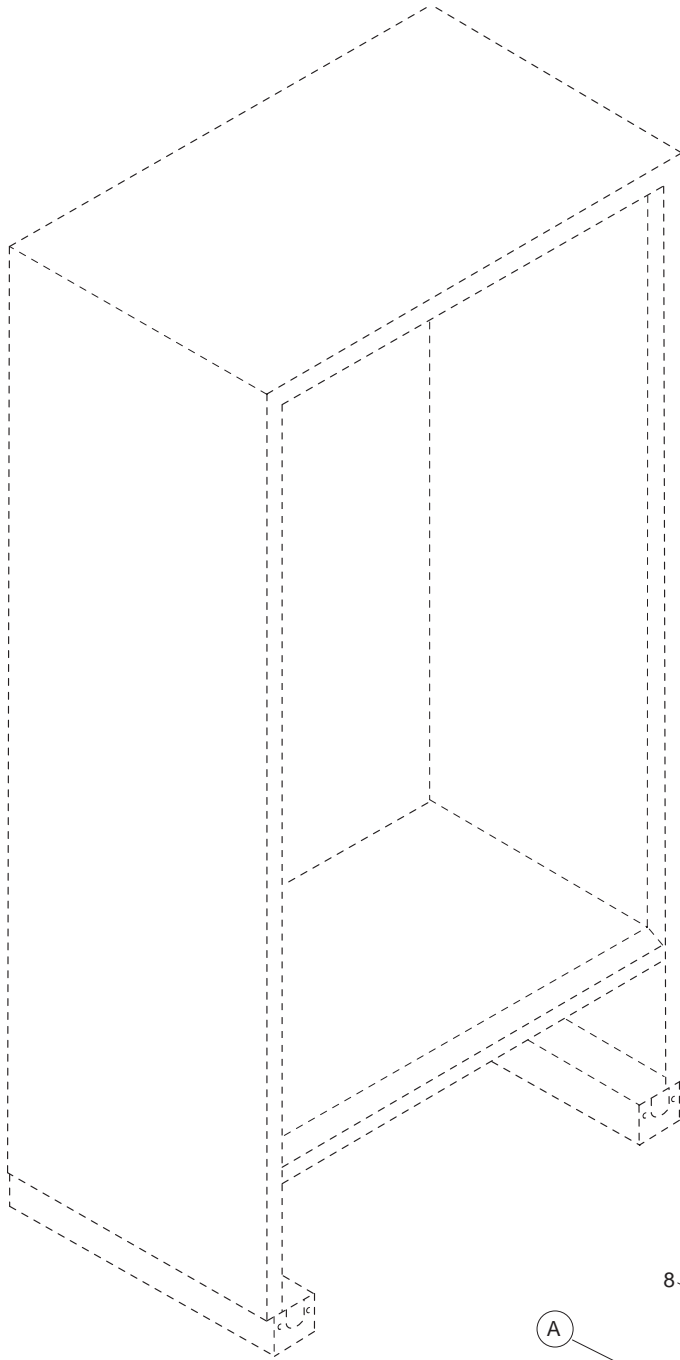


**601R SEALED SYSTEM PARTS LIST**

<u>Ref #</u>	<u>Part #</u>	<u>Description</u>
1	3130390	Evaporator, Ref (See SN Breaks)
	3130610	Evaporator, Ref (See SN Breaks)
2	6201270	Screw, #8-18 x 5/8" PH PN SS-Gnd
3	3120320	Condenser (See SN Breaks)
	3120390	Condenser (See SN Breaks)
4	6110020	Bolt, #10-24 x 3/8" Truss HD
5	6150080	Nut-Flat, #10-24
6	3014230	Filter-Drier, High Side
7	6120170	Locking Cable Tie, Red, 11-1/2"
8	4251310	Heat Exchanger
9	4201880	Compressor, Refrig. (EMI30HER)
10	3111370	Relay (1351400)
	3111410	Overload (4TM734LFB)
11	2600196	Drain Pan Heater Loop
12	3421430	Pan Heater Support
13	6200300	Screw, 5/16-18 x 1-1/2" Hex
14	6240050	Flat Washer, 5/16"
15	3150170	Rubber Grommet, Large, 15/16"
16	1801000	Nylon Compressor Mount, 7/16"
17	6160070	Sleeve, 5/16 x 7/16 x 7/8"
18	3014100	Suction Line Drier (Service Only)

601R SEALED SYSTEM VIEW



18 - Suction Line Drier  
(Not Shown)