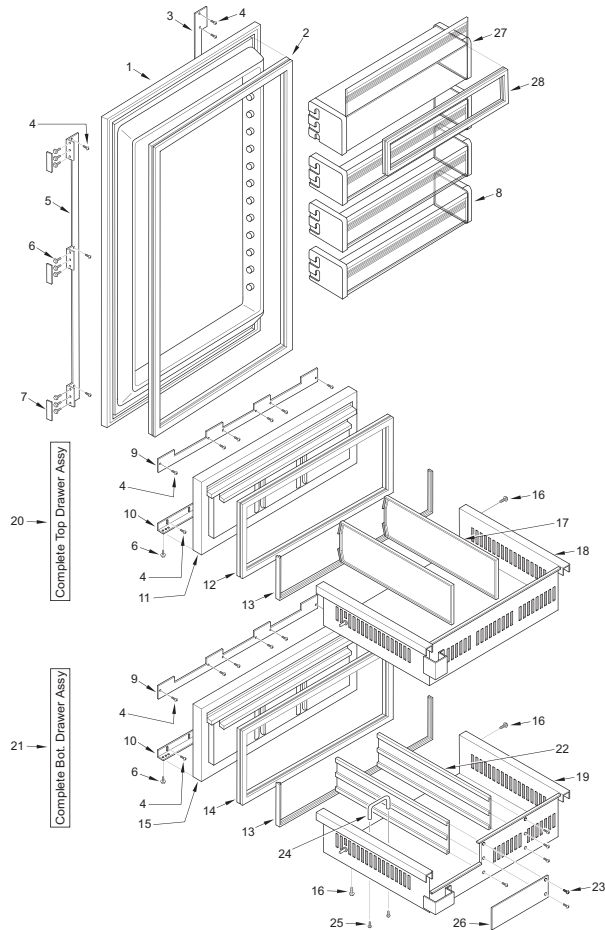




SERVICE PARTS MANUAL



INTEGRATED (700-3 TALL) SERIES



INTRODUCTION

This Sub-Zero Service Parts Manual, Part #3758411, has been compiled with the latest service parts information.

NOTE: The following may be contained in, or after part descriptions:

- , **B** = carBon Unit
- , **P** = Platinum Unit
- , **S** = classic Stainless steel

- (See SN Breaks) = See Serial Number Breaks in Price List
- (PTS #.....) = Prior To Serial Number.....
- (SWS #.....) = Starting With Serial Number.....

TECHNICAL ASSISTANCE

With questions regarding a Sub-Zero appliance and/or this manual, please contact:

*Sub-Zero Freezer Company, Inc.
 ATTN: Service Department
 P.O. Box 44988
 Madison, WI 53744-4988*

*Customer Service & Parts / Warranty Claims
 Phone #: (800) 332 - 9513*

*Technical Assistance
 Phone #: (800) 919 - 8324*

*Customer Service & Technical Assistance
 Facsimile #: (608) 441 - 5887*

*Parts / Warranty Claims
 Facsimile #: (608) 441 - 5886*

*Service Department e-mail Address
 customerservice@wolfappliance.com*

*Office Hours:
 7:00 AM to 7:00 PM Central Time
 Monday through Friday*

TABLE OF CONTENTS

	Page #
<hr/>	
<i>Model 700TC/I-3 Door</i>	<i>2</i>
<i>Model 700TC/I-3 Cosmetic</i>	<i>4</i>
<i>Model 700TC/I-3 Mechanical</i>	<i>6</i>
<i>Model 700TC/I-3 Sealed System</i>	<i>8</i>
<hr/>	
<i>Model 700TR-3 Door</i>	<i>10</i>
<i>Model 700TR-3 Cosmetic</i>	<i>12</i>
<i>Model 700TR-3 Mechanical</i>	<i>14</i>
<i>Model 700TR-3 Sealed System</i>	<i>16</i>
<hr/>	
<i>Model 700TF/I-3 Door</i>	<i>18</i>
<i>Model 700TF/I-3 Cosmetic</i>	<i>20</i>
<i>Model 700TFI-3 Mechanical</i>	<i>22</i>
<i>Model 700TF/I-3 Sealed System</i>	<i>24</i>
<hr/>	
<i>Model 736TC/I-3 Door</i>	<i>26</i>
<i>Model 736TC/I-3 Cosmetic</i>	<i>28</i>
<i>Model 736TC/I-3 Mechanical</i>	<i>30</i>
<i>Model 736TC/I-3 Sealed System</i>	<i>32</i>
<hr/>	
<i>Model 736TR-3 Door</i>	<i>34</i>
<i>Model 736TR-3 Cosmetic</i>	<i>36</i>
<i>Model 736TR-3 Mechanical</i>	<i>38</i>
<i>Model 736TR-3 Sealed System</i>	<i>40</i>
<hr/>	
<i>Modular Icemaker (Used in 700TFI-3 ONLY)</i>	<i>42</i>

NOTE: The icemaker used in models 700TCI-3 and 736TCI-3 does not offer individual service components. If problems with this icemaker are discovered, the entire icemaker must be replaced.

This manual is designed to be used by Authorized Service Personnel only. Sub-Zero Freezer Company, Inc. assumes no responsibility for any repairs made to Sub-Zero appliances by anyone other than Authorized Service Technicians.

The information and images contained in this manual are the copyright property of Sub-Zero Freezer Company, Inc. Neither this manual nor any information or images contained herein may be copied or used in whole or in part without the express written consent of Sub-Zero Freezer Company, Inc. ©, all rights reserved.



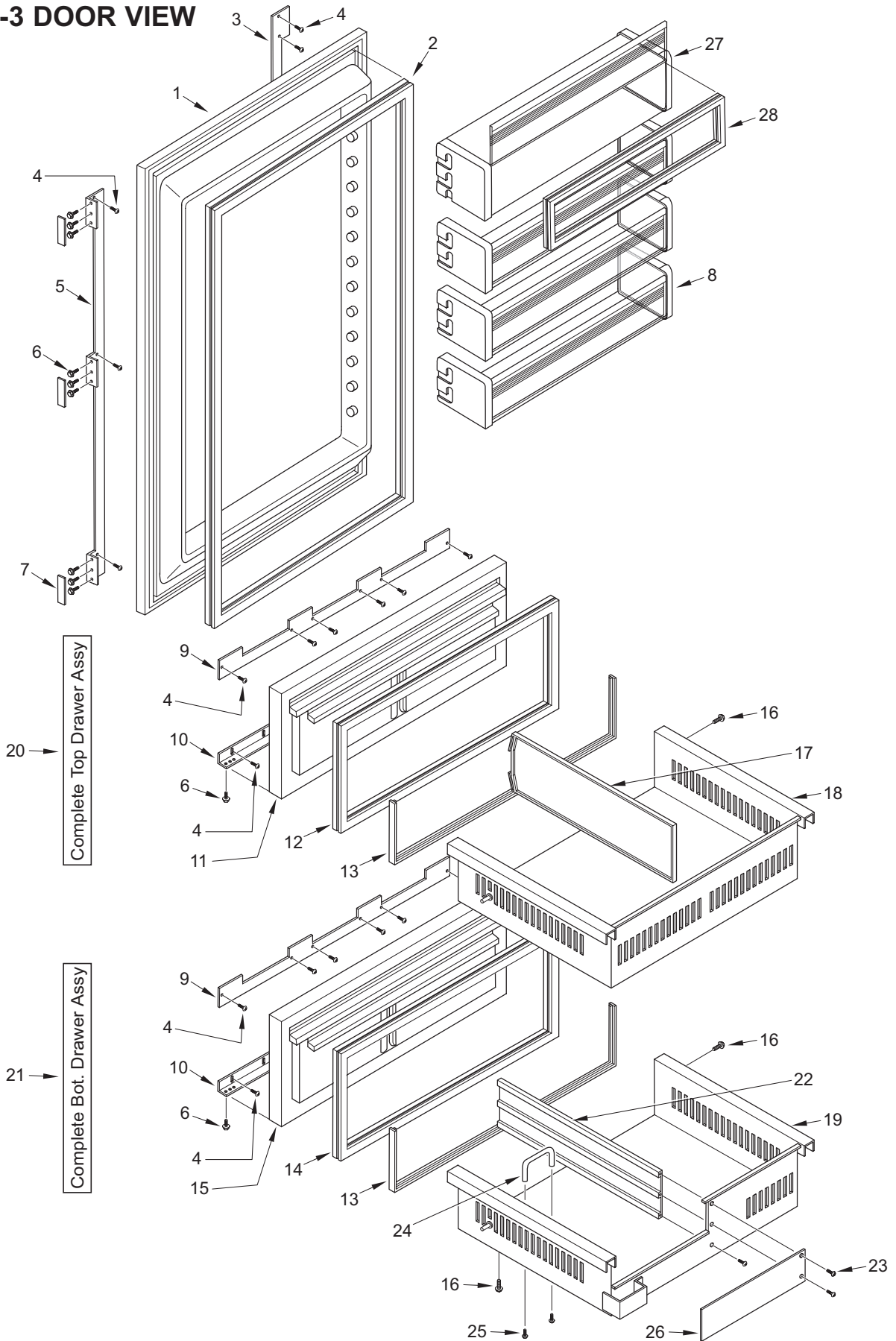
700TC/I-3 DOOR PARTS LIST

<u>Ref #</u>	<u>Part #</u>	<u>Description</u>	<u>Ref #</u>	<u>Part #</u>	<u>Description</u>
1	4202011	Door Assy, RH (<i>Hinges not include</i>)	15	4131750	Lower Drawer Front Assy
	4202012	Door Assy, LH (<i>Hinges not include</i>)	16	6200110	Screw, #10-12 x 5/8" Truss SS
2	3212210	Gasket, Door	17	3414020	Divider, Top Drawer
3	3421960	Brkt, Door Panel Mtg Handle Side	18	3414000	Tub, Upr Drawer
4	6200720	Screw, #8-18 x 1/2 PH Truss HD	19	3414010	Tub, Lwr Drawer
5	3421950	Brkt, Door Panel Mtg Hinge Side	20	4134410	Drawer Assy, Top
6	6201500	Screw, #10X3/4 Drill PH Hex Was	21	4134420	Drawer Assy, Bottom w/IM
7	3421490	Panel Bracket Cover	22	3414030	Divider, Bottom Drawer
8	4181270	Door Shelf Assembly	23	6200710	Screw, #8-18 x 3/8" Fillister HD
9	3421930	Bracket, Door Panel-Upper	24	3511040	3" Wire Pull (with IM only)
10	3421940	Bracket, Door Panel-Lower	25	6200080	Screw, #8-15X1/2" Truss HD (w/IM only)
11	4131720	Upper Drawer Front Assembly		3550400	Hole Plug (w/o IM only)
12	3212220	Gasket, Drawer-UPR	26	3412420	Filler Plate, Drawer Tub Lwr (w/o IM only)
13	3211560	Seal, Tub White 37-5/8"	27	4181260	Dairy Compartment Assy (Includes Seal)
14	3212230	Gasket, Drawer-LWR	28	3211550	Diary Compartment Seal

NOTE: Door/Drawer panels on this model are a sales accessories. For part numbers of complete door panel sets or components of the door panel sets, contact the factory.



700TC/I-3 DOOR VIEW



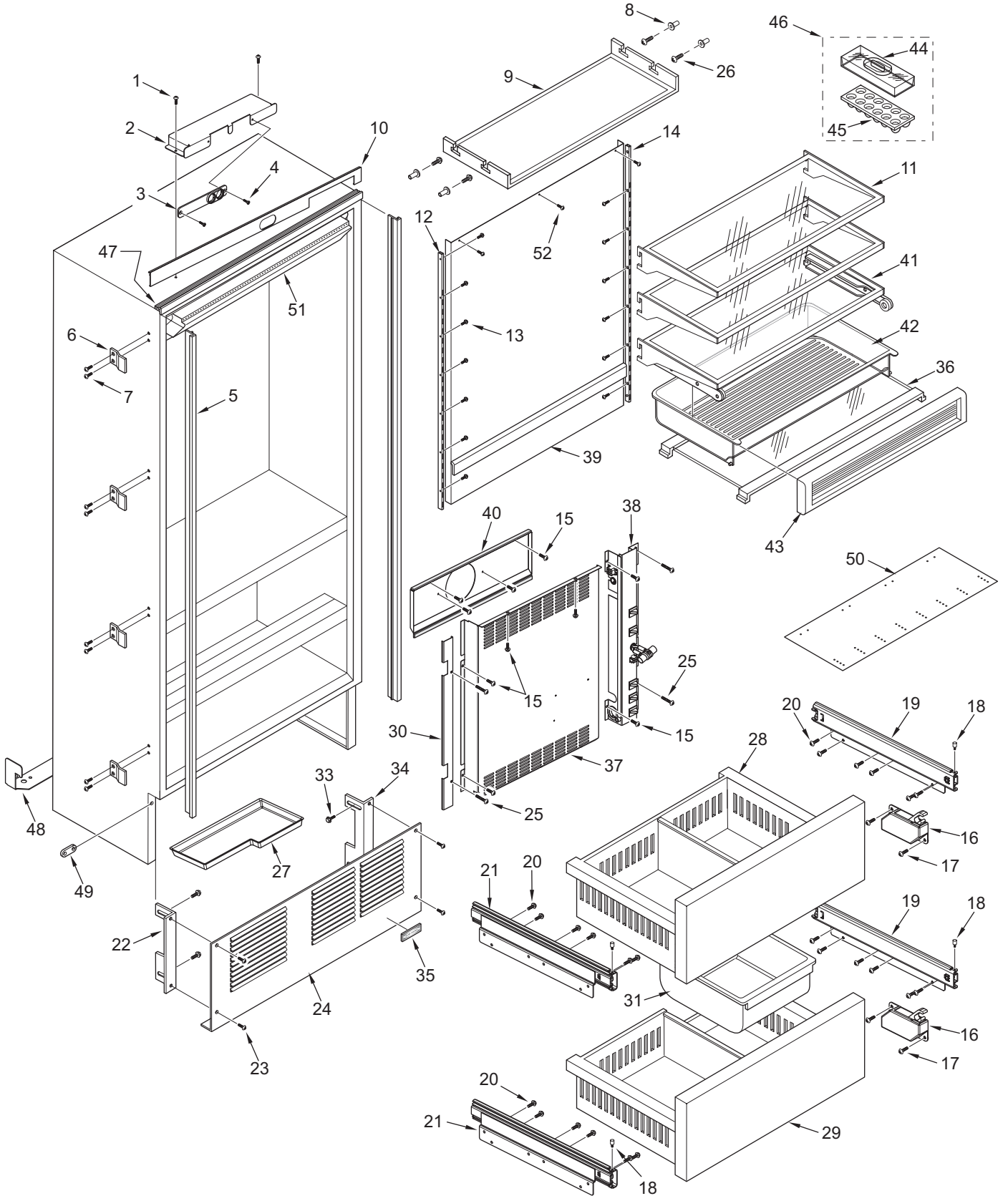


700TC/I-3 COSMETIC PARTS LIST

<u>Ref #</u>	<u>Part #</u>	<u>Description</u>	<u>Ref #</u>	<u>Part #</u>	<u>Description</u>
1	6200010	Screw, #10-12 x 3/4" Pan HD	28	4134410	Drawer Assy, Top (See DOOR PARTS LIST for breakdown)
2	4161203	Switch Box Assy, Door (RH)	29	4134420	Drawer Assy, Bottom w/IM (See DOOR PARTS LIST for breakdown)
	4161204	Switch Box Assy, Door (LH)	30	0234680	Cover, Heat Exchanger
3	3450920	Bracket, Switch Mounting	31	3412080	Bucket, Ice
4	6200210	Screw, #8-32 x 1/2" Flat Head	32	NA	
5	3516010	Molding, Side	33	6200780	Screw, #10-24 x 1/2" PH Hex Wash
6	3421510	Bracket, Ref to Cabinet	34	0167662	Kickplate Bracket - LS
7	6200720	Screw, Tap, #8 x 1/2" PH FL HD	35	3580170	Nameplate
8	3520420	Insert / Diffuser Stand-off	36	4181320	Tray, Glass Lwr-Low
9	4161140	Light Diffuser Assy	37	4161190	Cold Plate Assy, Fre
10	3516451	Molding, Top RH	38	0263260	Box, Switch, Fre
	3516452	Molding, Top LH		4161151	Switch Box Assy, Fre TCI3 Srvc
11	3602320	Shelf, Glass Cantilever		4161152	Switch Box Assy, Fre TC3 Srvc
12	3602270	Shelf Ladder, Left	39	4281691	Cold Plate Assy, Ref Srvc
13	6200710	Screw, #8-18 x 3/8" Fillister HD	40	4281300	Plate Assy, Fre Orifice SRVC
14	3602280	Shelf Ladder, Right	41	4181291	Shelf Assy, Deli-RH
15	6201270	Screw, #8-18 x 5/8" PH PN SS-Gnd		4181292	Shelf Assy, Deli-LH
16	3541020	Closer, Drawer-RH	42	4181300	Tray Assy, Deli - 4" (Complete)
17	6200110	Screw, #10-12 x 5/8" Truss SS	43	NA	See 4181300
18	3550720	Pin, White Thread	44	3412280	Egg Tray Cover
19	4134430	Drawer Assy, Slide-RH	45	3412270	Egg Tray
20	6202030	Screw, 1/4-20 x 1/2" But HD, Patchlk	46	4131810	Egg Tray with Cover
21	4134440	Drawer Assy, Slide-LH	47	4152070	Trim Assy, Top
22	0167661	Kickplate Bracket - RS	48	0167550	Bracket, Anti-Tip
23	6200050	Screw, #10-12 x 1/2" Pan HD	49	3421460	Bracket, Unit to Unit
24	3530430	Grille, Kickplate	50	3754220	Door Panel Drilling Template
25	6201120	Screw, #8-18 X 2 Truss Hd	51	4162590	Control Panel Assy, Service
26	6201330	Screw, #8 PH-Pan Head 1"	52	6202050	Screw, #8-18X1/2 Ph Pn SS-Gnd
27	0263080	Drain Pan, 700			

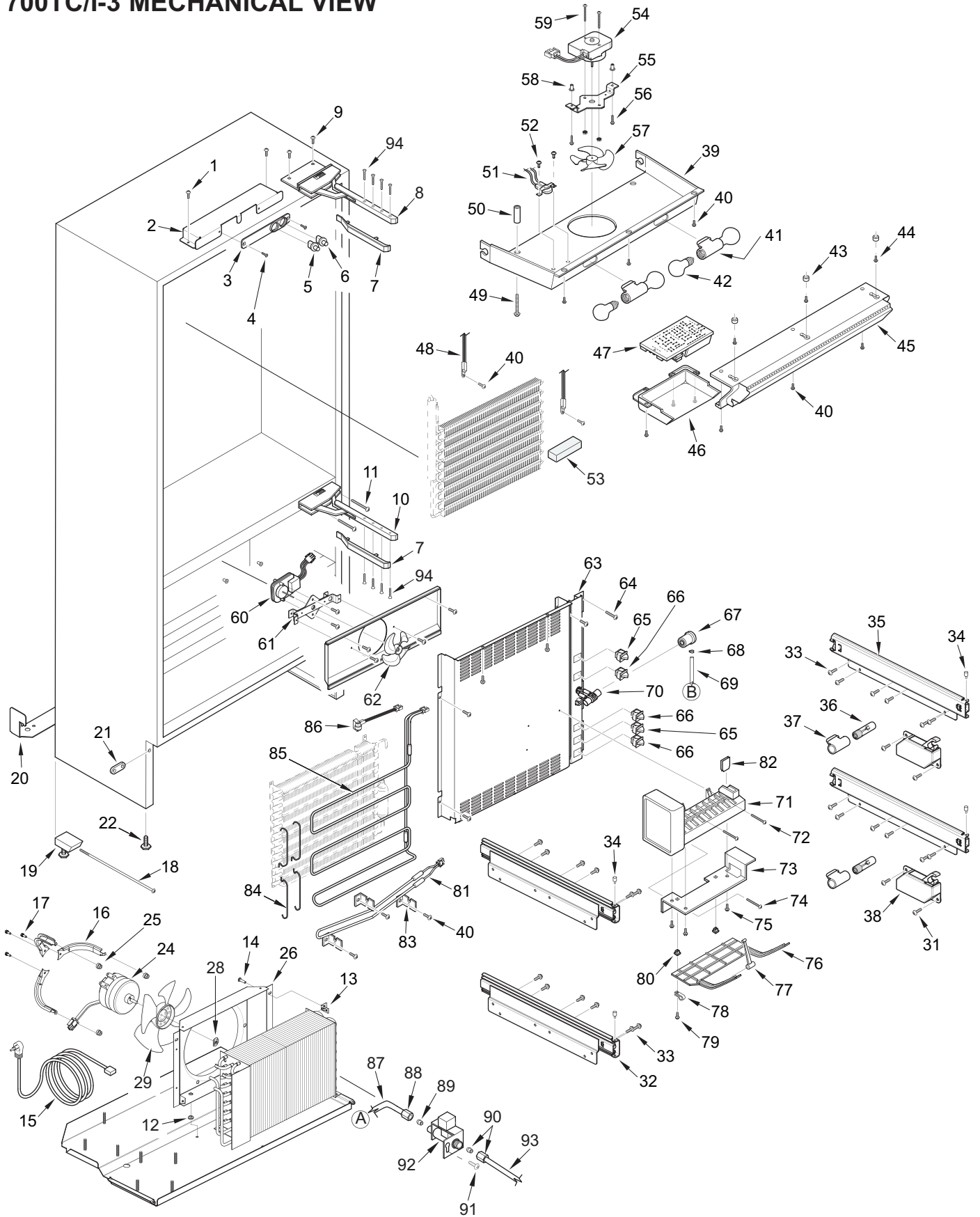


700TC/I-3 COSMETIC VIEW





700TC/I-3 MECHANICAL VIEW



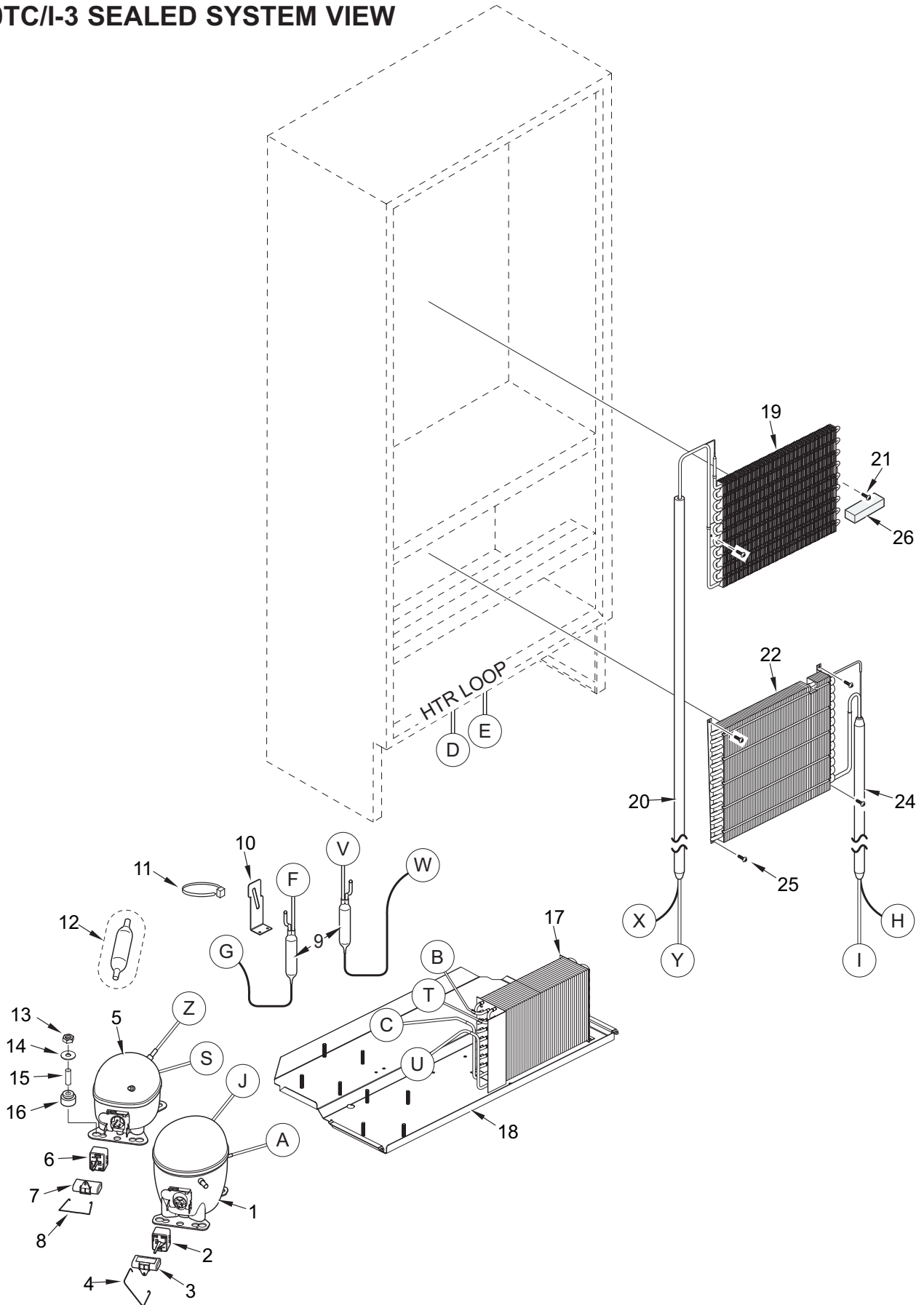


700TC/I-3 SEALED SYSTEM PARTS LIST

<u>Ref #</u>	<u>Part #</u>	<u>Description</u>
1	7002345	Compressor Assy, EGUS70HLP Svce
2	3112621	Electrical Assy, EGUS70HLP (Used with EGUS70HLP Comp.)
	3112214	Electrical Assy, EGU70 (Used with EGU70HLC Comp.)
	3111350	Relay, (8EA403) (Used with FGS70HA Comp.)
	3111380	Overload, (4TM283ULB) (Used with FGS70HA Comp.)
3	3112500	Capacitor (12Mf) (Used with EGUS70HLP Comp.)
	3111270	Capacitor (20Mf) (Used with EGU70HLC & FGS70HA Comp's.)
4	3112420	Term Cvr Spring, EGZ80 (Used with EGUS70HLP & EGU70HLC Comp.)
5	4201880	Compressor, Refrig. (EMI30HER - Service Compressor)
	3111370	Relay, (1351400 - Used w/EMI30HER Service Comp.)
	3111410	Overload, (4TM734LFB - Used w/EMI30HER Service Comp.)
6	3112211	Electrical Assy, EMU30HSC (Used with EMU30HSC Production Comp.)
7	3112500	Capacitor, 12MF (Used with EMU30HSC Production Comp.)
8	3112420	Term Cvr Spring, EGZ80 (Used with EMT30HSC Production Comp.)
9	3014230	Filter-Drier, High Side
10	0260341	Bracket, Drier
11	6120170	Locking Cable Tie, Red, 11-1/2"
12	3014100	Drier, Suction Line (Service Only)
13	6150220	Nut, 5/16-18 Hex Zinc (4 each compressor)
14	6240050	Washer, Flat 5/16" (4 each compressor)
15	6160070	Sleeve, 5/16 x 7/16 x 7/8" (4 each compressor)
16	3150170	Rubber Grommet, Large, 15/16" (4 each compressor)
17	3120340	Condenser
18	NA	Tray, Unit - Special Order, Contact Factory
19	3130640	Evaporator, Ref
20	4251680	Heat Exch, Upper
21	6201270	Screw, #8-18 x 5/8" PH PN SS-Gnd
22	3130540	Evaporator, Fre
23	NA	
24	4251510	Heat Exch, Fre
25	6201270	Screw, #8-18 x 5/8" PH PN SS-Gnd
26	6231490	Tape, Foam XLPE



700TC/I-3 SEALED SYSTEM VIEW





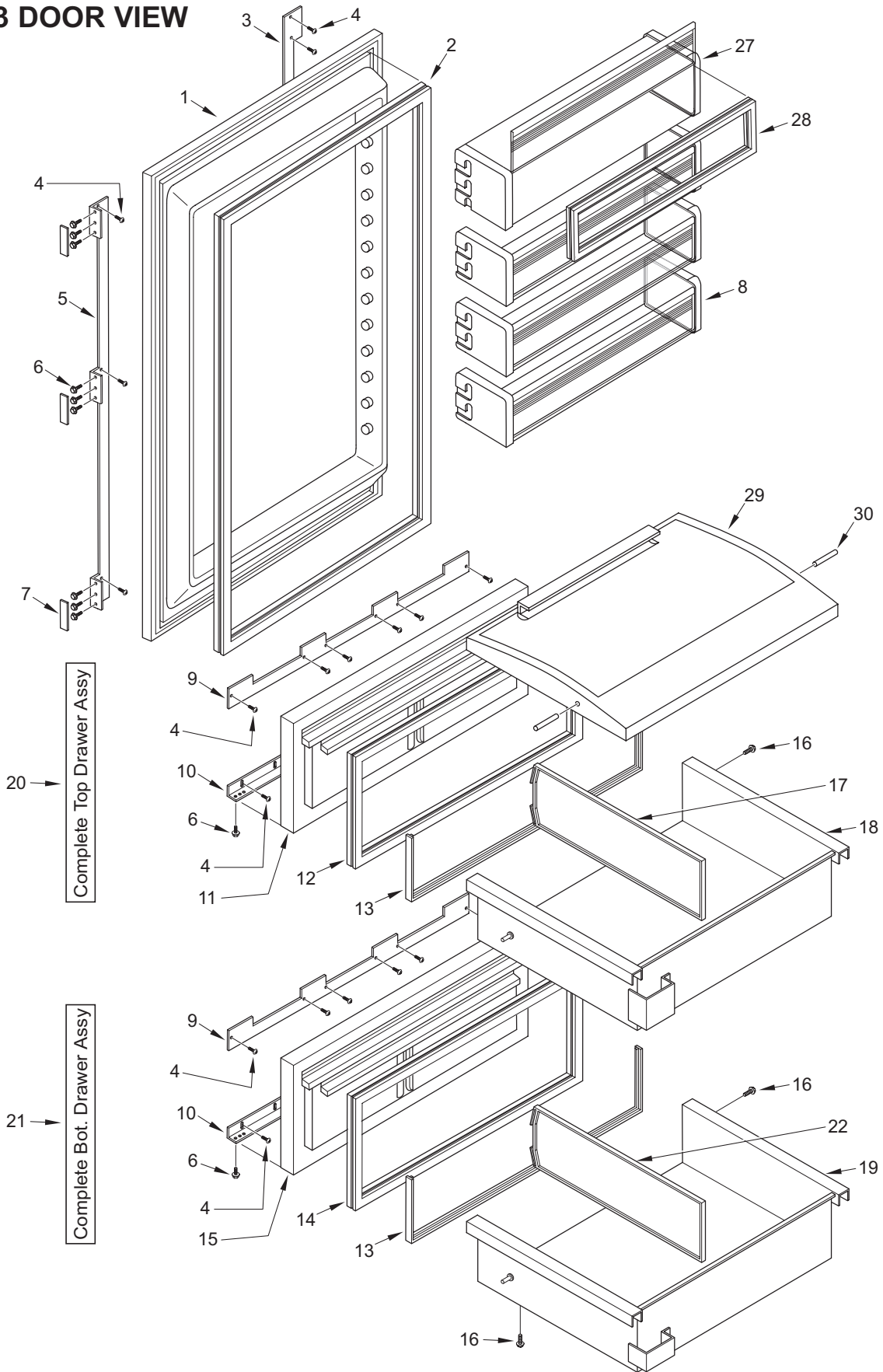
700TR-3 DOOR PARTS LIST

<u>Ref #</u>	<u>Part #</u>	<u>Description</u>	<u>Ref #</u>	<u>Part #</u>	<u>Description</u>
1	4202011	Door Assy, RH (<i>Hinges not include</i>)	16	6200110	Screw, #10-12 x 5/8" Truss SS
	4202012	Door Assy, LH (<i>Hinges not include</i>)	17	3601340	Divider, Top Drawer
2	3212210	Gasket, Door	18	3414060	Tub, Upr Drawer
3	3421960	Brkt, Door Panel Mtg Handle Side	19	3414070	Tub, Lwr Drawer
4	6200720	Screw, #8-18 x 1/2 PH Truss HD	20	4134450	Drawer Assy, Top
5	3421950	Brkt, Door Panel Mtg Hinge Side	21	4134460	Drawer Assy, Bot
6	6201500	Screw, #10X3/4 Drill PH Hex Was	22	3601350	Lower Drawer Divider
7	3421490	Panel Bracket Cover	23	NA	
8	4181270	Door Shelf Assembly	24	NA	
9	3421930	Bracket, Door Panel-Upper	25	NA	
10	3421940	Bracket, Door Panel-Lower	26	NA	
11	4131710	Upper Drawer Front Assembly	27	4181260	Dairy Compartment Assy (Includes Seal)
12	3212220	Gasket, Drawer-UPR	28	3211550	Diary Compartment Seal
13	3211560	Seal, Tub White 37-5/8"	29	3470320	Lid Assy, Crisper
14	3212230	Gasket, Drawer-LWR	30	3412240	Pin, Crisper (2)
15	4131740	Lower Drawer Front Assy			

NOTE: Door/Drawer panels on this model are a sales accessories. For part numbers of complete door panel sets or components of the door panel sets, contact the factory.



700TR-3 DOOR VIEW



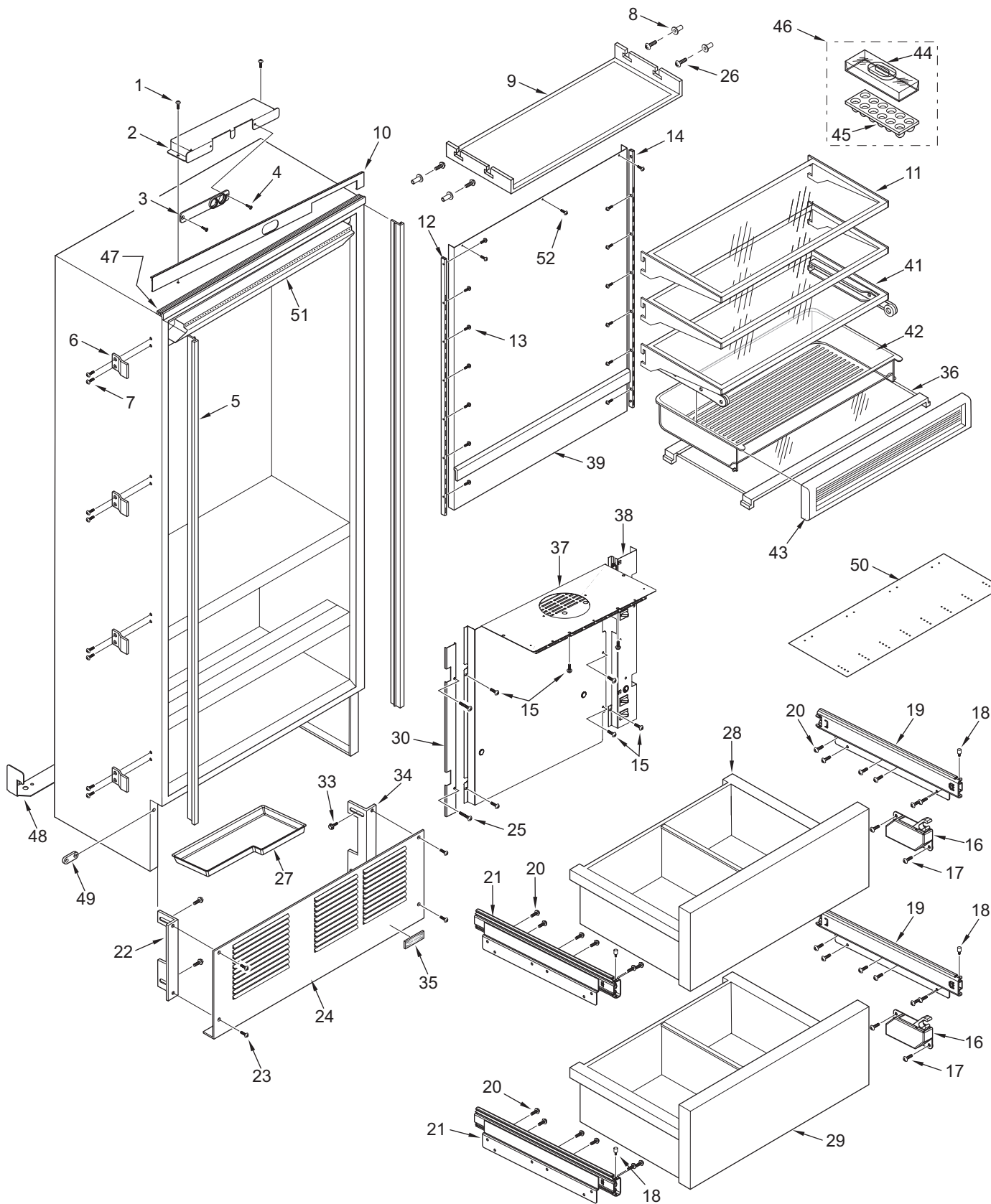


700TR-3 COSMETIC PARTS LIST

<u>Ref #</u>	<u>Part #</u>	<u>Description</u>	<u>Ref #</u>	<u>Part #</u>	<u>Description</u>
1	6200010	Screw, #10-12 x 3/4" Pan HD	26	6201330	Screw, #8 PH-Pan Head 1"
2	4161203	Switch Box Assy, Door (RH)	27	0263080	Drain Pan, 700
	4161204	Switch Box Assy, Door (LH)	28	NA	See Drawer View & Drawer Parts List
3	3450920	Bracket, Switch Mounting	29	NA	See Drawer View & Drawer Parts List
4	6200210	Screw, #8-32 x 1/2" Flat Head	30	0234680	Cover, Heat Exchanger
5	3516010	Molding, Side	31	NA	
6	3421510	Bracket, Ref to Cabinet	32	NA	
7	6200720	Screw, Tap, #8 x 1/2" PH FL HD	33	6200780	Screw, #10-24 x 1/2" PH Hex Wash
8	3520420	Insert / Diffuser Stand-off	34	0167662	Kickplate Bracket - LS
9	4161140	Light Diffuser Assy	35	3580170	Nameplate
10	3516451	Molding, Top RH	36	4181320	Tray, Glass Lwr-Low
	3516452	Molding, Top LH	37	4281121	Cold Plate Assy, Lwr TR3 Srvc
11	3602320	Shelf, Glass Cantilever	38	4162991	Switch Box Assy, Lwr TR3 SRVC
12	3602270	Shelf Ladder, Left	39	4281691	Cold Plate Assy, Ref Srvc
13	6200710	Screw, #8-18 x 3/8" Fillister HD	40	NA	
14	3602280	Shelf Ladder, Right	41	4181291	Shelf Assy, Deli-RH
15	6201270	Screw, #8-18 x 5/8" PH PN SS-Gnd		4181292	Shelf Assy, Deli-LH
16	3541020	Closer, Drawer-RH	42	4181300	Tray Assy, Deli - 4" (Complete)
17	6200110	Screw, #10-12 x 5/8" Truss SS	43	NA	See 4181300
18	3550720	Pin, White Thread	44	3412280	Egg Tray Cover
19	4134430	Drawer Assy, Slide-RH	45	3412270	Egg Tray
20	6202030	Screw, 1/4-20 x 1/2" But HD, Patchlk	46	4131810	Egg Tray with Cover
21	4134440	Drawer Assy, Slide-LH	47	4152070	Trim Assy, Top
22	0167661	Kickplate Bracket - RS	48	0167550	Bracket, Anti-Tip
23	6200050	Screw, #10-12 x 1/2" Pan HD	49	3421460	Bracket, Unit to Unit
24	3530430	Grille, Kickplate	50	3754220	Door Panel Drilling Template
25	6201120	Screw, #8-18 X 2 Truss Hd	51	4162600	Control Panel Assy, Service
			52	6202050	Screw, #8-18X1/2 Ph Pn SS-Gnd



700TR-3 COSMETIC VIEW

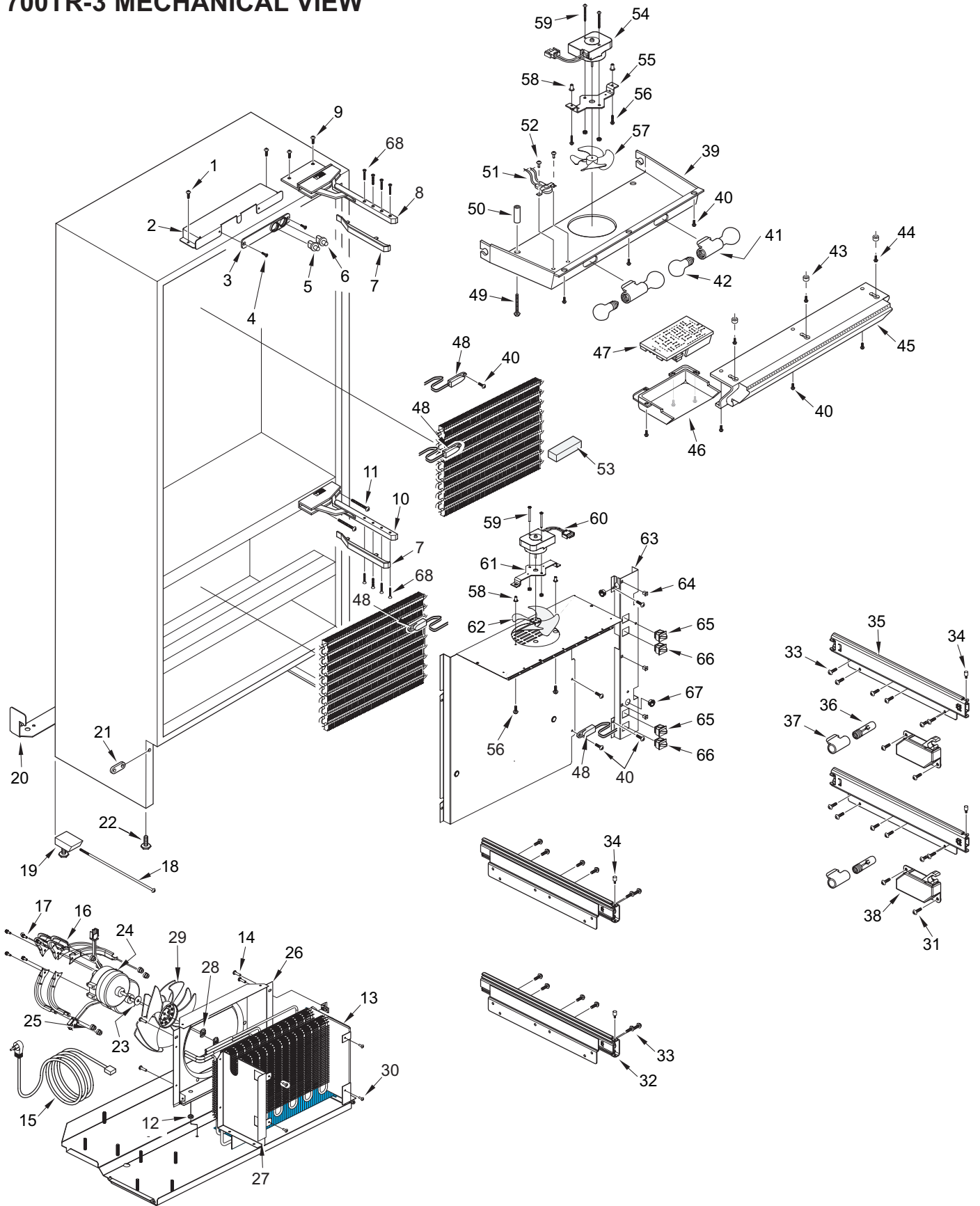




700TR-3 MECHANICAL PARTS LIST

<u>Ref #</u>	<u>Part #</u>	<u>Description</u>	<u>Ref #</u>	<u>Part #</u>	<u>Description</u>
1	6200010	Screw, #10-12 x 3/4" Pan HD	37	3050220	Socket, Light Int Base Sngl
2	4161203	Switch Box Assy, Door (RH)	38	3541020	Closer, Drawer
	4161204	Switch Box Assy, Door (LH)	39	4230541	Shroud Assy, Ref FanSrvc
	0212471	Box, Rf Switch	40	6201270	Screw, #8-18 x 5/8" PH PN SS-Gnd
3	3450920	Bracket, Switch Mounting	41	3050250	Socket, Light Med Base Dbl
4	6200210	Screw, #8-32 x 1/2" Flat Head	42	3030030	Bulb, Light 40W
5	3060030	Switch, Light	43	6160240	Nylon Spacer
6	3060020	Switch, Fan	44	6200720	Screw, #8-18 x 1/2 PH Truss HD
7	3541050	Hinge Cover	45	4162600	Control Panel Assy, Service
8	3541031	Hinge Assy, TOP - RH	46	4152050	Cover Assy, Control
	3541032	Hinge Assy, TOP - LH	47	4204380	Board, Cntrl Service 600/700
9	6200780	Screw, #10-24 x 1/2" PH Hex Washer	48	4204150	Thermistor, ASM Srvc Pkg
10	3541041	Hinge Assy, MDL - RH	49	6201010	Screw, #8-15 x 2" Pan Head
	3541042	Hinge Assy, MDL - LH	50	6220540	Screw Grommet/Stand-off, 1.375
11	6201600	Screw, 1/4-20X5/8 Sems But Hd	51	3082140	Light Terminator
12	3220370	Grommet, 1/4" X 3/16"		3024310	W/H, Ref Light (Incl Terminator)
13	4281740	Shroud Assy, Left Cond Srvc	52	6180010	Pop Rivet, 1/8"
14	6200010	Screw, #10-12 x 3/4" Pan HD	53	6231490	Tape, Foam XLPE
15	7002603	Cord, Power SVCE	54	4200170	Motor Assy, Repl. Ref Fan, Svce
16	0261150	Bracket, Cond Fan Mtg (3)	55	0260370	Bracket, Fan (Production)
17	6201580	Screw, #8-36 X 1/2 Nylon Patch	56	6201470	Screw, #8-32X3/4 SS
18	3421500	Adjusting Rod	57	3151000	Blade, Fre 130MM 4 Pedal Black
19	4202000	Rear Leveler Assembly	58	6150850	Wellnut, #8-32
20	0167550	Bracket, Anti-Tip	59	6201820	Screw, #8-32X1 3/4 SS PNHD
21	3421460	Bracket, Unit to Unit	60	4200170	Motor Assy, Repl. Ref Fan, Svce
22	3570060	Bolt, Leveler 3/8-16X2-1/8	61	0262891	Bracket, Evap Fan Srvc
23	3210340	Neoprene Silencer, 7/8"	62	3151000	Blade, Fre 130MM 4 Pedal Black
24	4200740	Motor Pkg, Cond Fan	63	4162991	Switch Box Assy, Lwr TR3 SRVC
25	3220360	Grommet, Mtg Brkt	64	6220220	Screw Grommet, 1/32 x 3/8" SQ
26	4281310	Shroud Assy, Cond Fan Srvc	65	3060140	SPST Light Switch (2)
27	4281750	Shroud Assy, Right Cond Srvc	66	3060130	SPST Fan/Icemaker Switch (2)
28	6150410	Nut, 1/4-20	67	3220510	Heyco, 3/4 #2873 (2)
29	3150800	Blade, Condenser Forward-SW	68	6110610	Screw, #10-24 x 3/4 FL Socket HD
30	6201420	Screw			
31	6200110	Screw, #10-12 x 5/8" Truss SS			
32	4134430	Drawer Assy, Slide-RH			
33	6202030	Screw, 1/4-20 x 1/2" But HD, Patchlk			
34	3550720	White Thread Pin			
35	4134440	Drawer Assy, Slide-LH			
36	3030060	Bulb, Light 25W 1X2-1/2			
				<u>NOT SHOWN</u>	
				3024990	W/H, Cabinet
				3024980	W/H, Unit
				1601400	Drain Tube, Wire - 1/2" x 72"

700TR-3 MECHANICAL VIEW



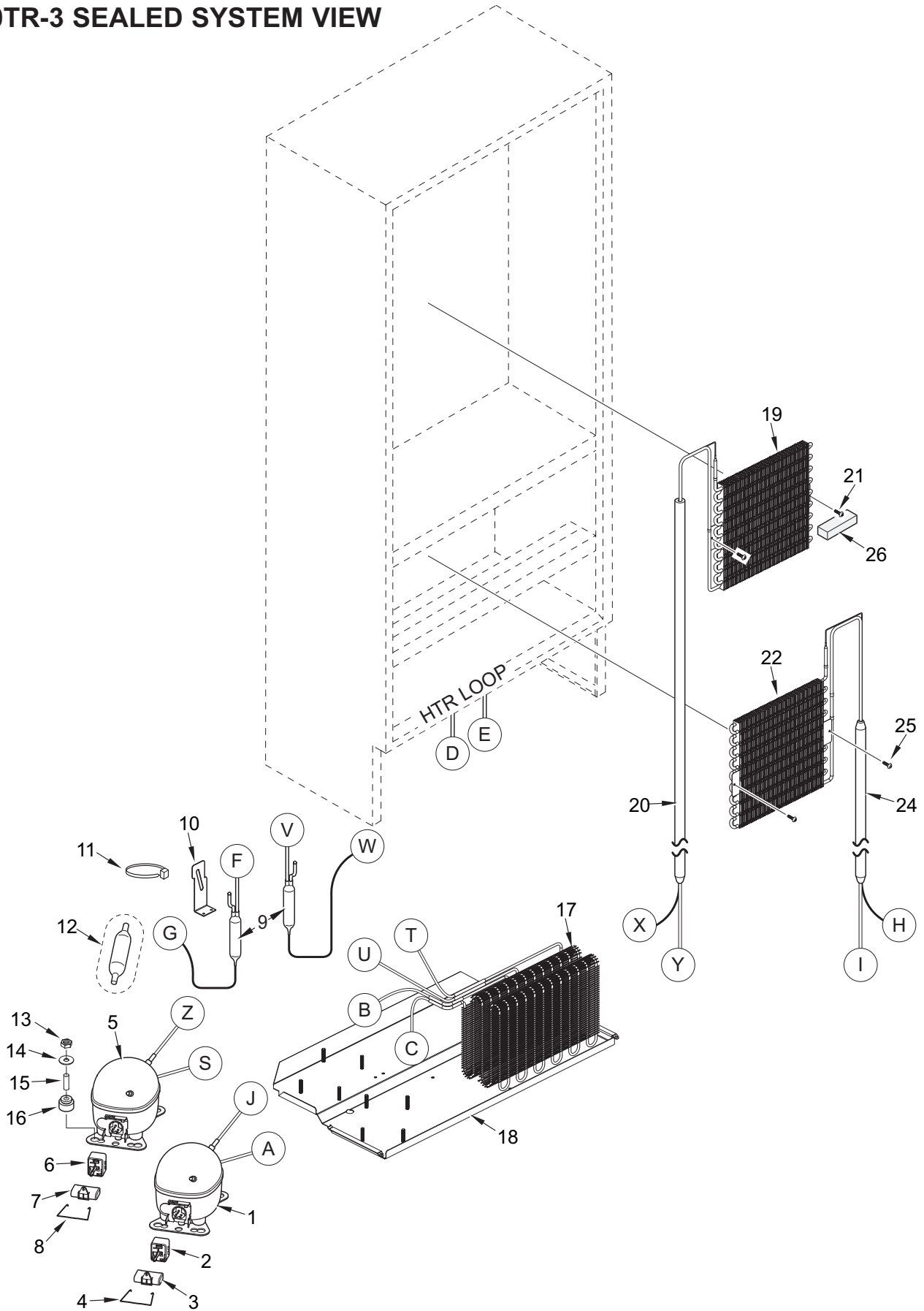


700TR-3 SEALED SYSTEM PARTS LIST

<u>Ref #</u>	<u>Part #</u>	<u>Description</u>
1	4201880	Compressor, Refrig. (EMI30HER - Service Compressor)
	3111370	Relay, (1351400 - Used w/EMI30HER Service Comp.)
	3111410	Overload, (4TM734LFB - Used w/EMI30HER Service Comp.)
2	3112211	Electrical Assy, EMU30HSC (Used with EMU30HSC Production Comp.)
3	3112500	Capacitor, 12MF (Used with EMU30HSC Production Comp.)
4	3112420	Term Cvr Spring, EGZ80 (Used with EMT30HSC Production Comp.)
5	4201880	Compressor, Refrig. (EMI30HER - Service Compressor)
	3111370	Relay, (1351400 - Used w/EMI30HER Service Comp.)
	3111410	Overload, (4TM734LFB - Used w/EMI30HER Service Comp.)
6	3112211	Electrical Assy, EMU30HSC (Used with EMU30HSC Production Comp.)
7	3112500	Capacitor, 12MF (Used with EMU30HSC Production Comp.)
8	3112420	Term Cvr Spring, EGZ80 (Used with EMT30HSC Production Comp.)
9	3014230	Filter-Drier, High Side
10	0260341	Bracket, Drier
11	6120170	Locking Cable Tie, Red, 11-1/2"
12	3014100	Drier, Suction Line (Service Only)
13	6150220	Nut, 5/16-18 Hex Zinc (4 each compressor)
14	6240050	Washer, Flat 5/16" (4 each compressor)
15	6160070	Sleeve, 5/16 x 7/16 x 7/8" (4 each compressor)
16	3150170	Rubber Grommet, Large, 15/16" (4 each compressor)
17	3120450	Condenser, Witre on Tube
18	NA	Tray, Unit - Special Order, Contact Factory
19	3130640	Evaporator, Ref
20	4251680	Heat Exch, Upper
21	6201270	Screw, #8-18 x 5/8" PH PN SS-Gnd
22	3130640	Evaporator, Ref
23	NA	
24	4251670	Heat Exch, Lower
25	6201330	Screw, #8 PH-Pan Head 1"
26	6231490	Tape, Foam XLPE



700TR-3 SEALED SYSTEM VIEW





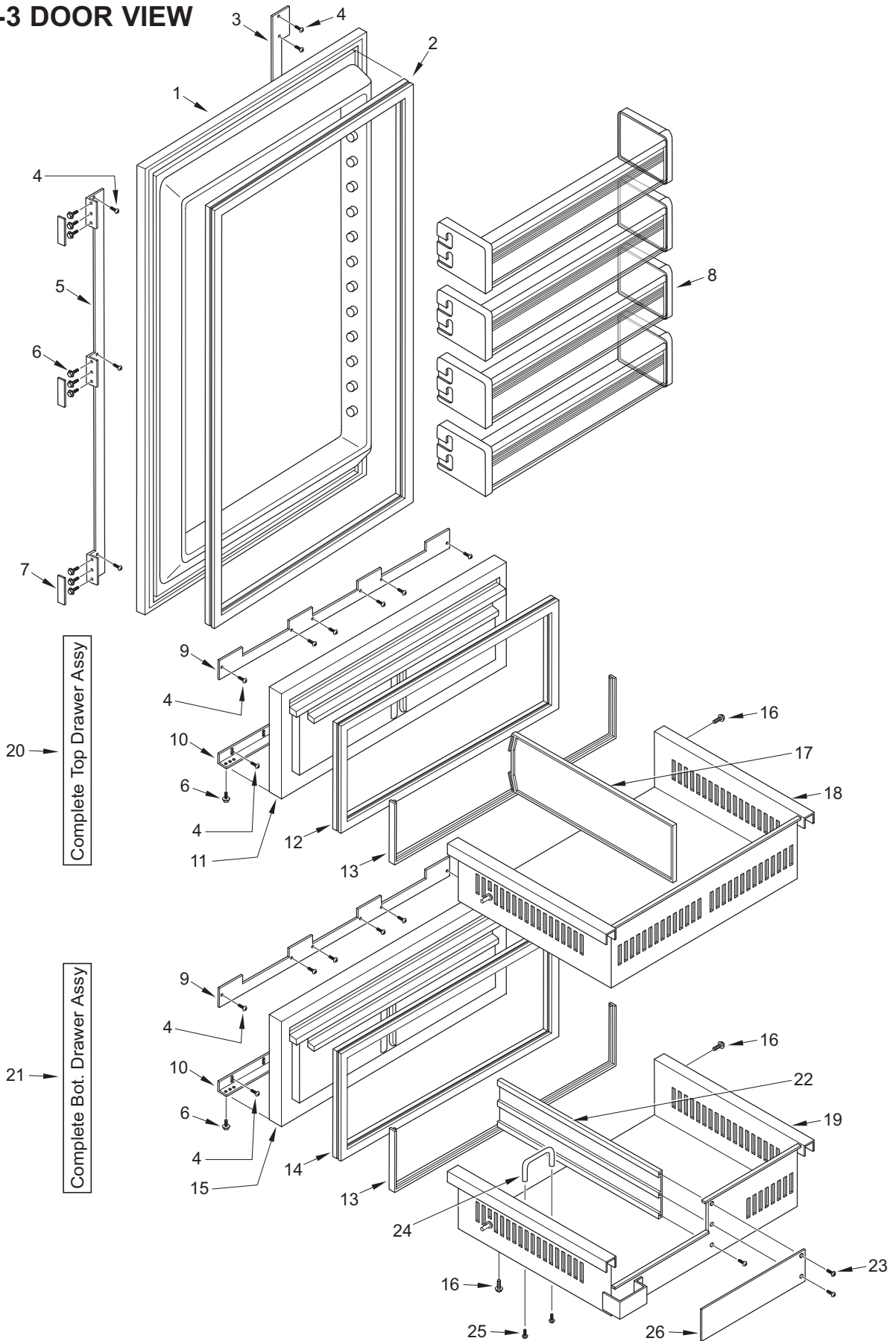
700TF/I-3 DOOR PARTS LIST

<u>Ref #</u>	<u>Part #</u>	<u>Description</u>	<u>Ref #</u>	<u>Part #</u>	<u>Description</u>
1	4202011	Door Assy, RH (<i>Hinges not include</i>)	14	3212230	Gasket, Drawer-LWR
	4202012	Door Assy, LH (<i>Hinges not include</i>)	15	4131750	Lower Drawer Front Assy
2	3212210	Gasket, Door	16	6200110	Screw, #10-12 x 5/8" Truss SS
3	3421960	Brkt, Door Panel Mtg Handle Side	17	3414020	Divider, Top Drawer
4	6200720	Screw, #8-18 x 1/2 PH Truss HD	18	3414000	Tub, Upr Drawer
5	3421950	Brkt, Door Panel Mtg Hinge Side	19	3414010	Tub, Lwr Drawer
6	6201500	Screw, #10X3/4 Drill PH Hex Was	20	4134410	Drawer Assy, Top
7	3421490	Panel Bracket Cover	21	4134420	Drawer Assy, Bottom w/IM
8	4181270	Door Shelf Assembly	22	3414030	Divider, Bottom Drawer
9	3421930	Bracket, Door Panel-Upper	23	6200710	Screw, #8-18 x 3/8" Fillister HD
10	3421940	Bracket, Door Panel-Lower	24	3511040	3" Wire Pull (with IM only)
11	4131720	Upper Drawer Front Assembly	25	6200080	Screw, #8-15X1/2" Truss HD (w/IM only)
12	3212220	Gasket, Drawer-UPR		3550400	Hole Plug (w/o IM only)
13	3211560	Seal, Tub White 37-5/8"	26	3412420	Filler Plate, Drawer Tub Lwr (w/o IM only)

NOTE: Door/Drawer panels on this model are a sales accessories. For part numbers of complete door panel sets or components of the door panel sets, contact the factory.



700TF/I-3 DOOR VIEW



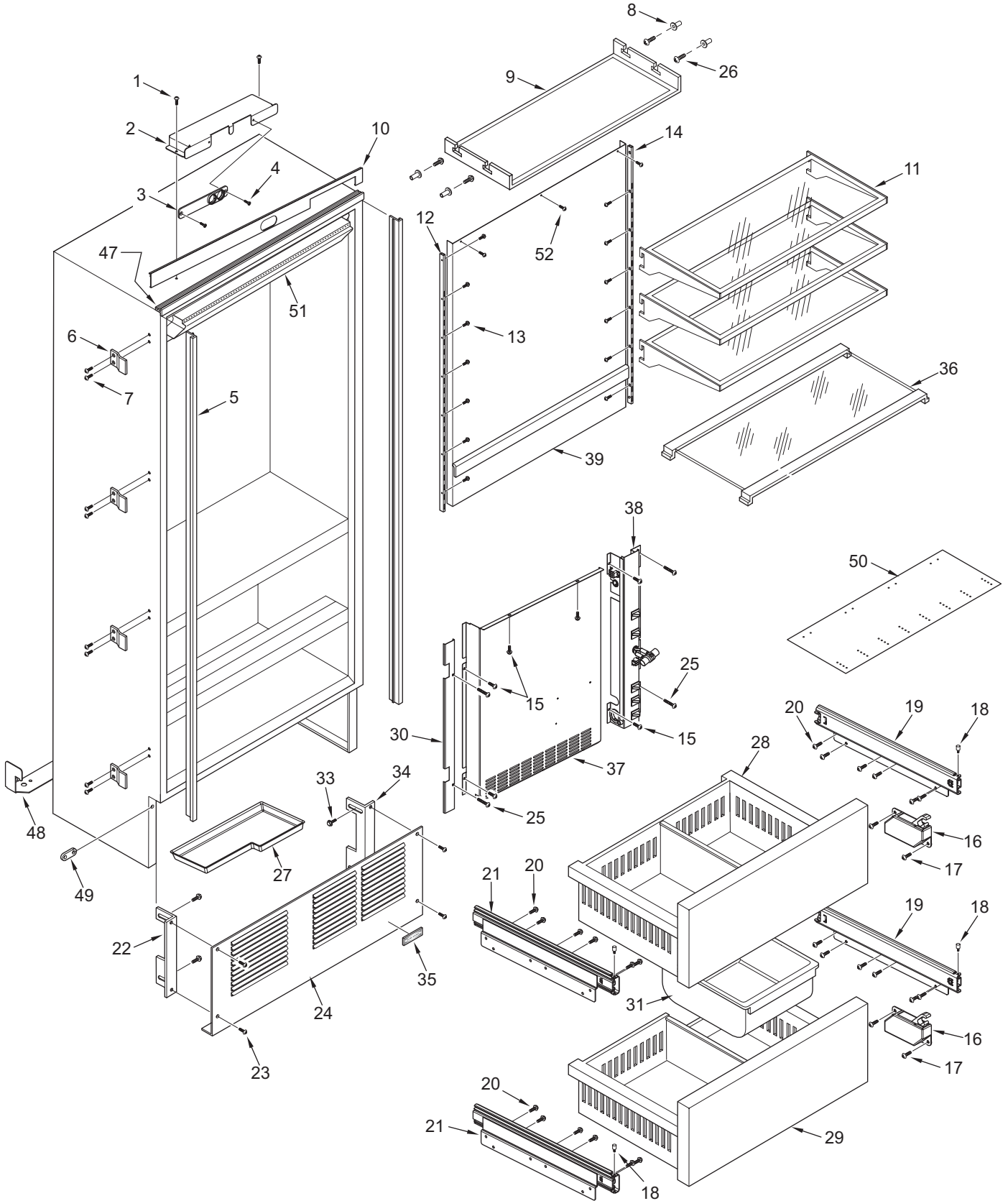


700TF/I-3 COSMETIC PARTS LIST

<u>Ref #</u>	<u>Part #</u>	<u>Description</u>	<u>Ref #</u>	<u>Part #</u>	<u>Description</u>
1	6200010	Screw, #10-12 x 3/4" Pan HD	28	4134410	Drawer Assy, Top (See DOOR PARTS LIST for breakdown)
2	4161203	Switch Box Assy, Door (RH)	29	4134420	Drawer Assy, Bottom w/IM (See DOOR PARTS LIST for breakdown)
	4161204	Switch Box Assy, Door (LH)	30	0234680	Cover, Heat Exchanger
3	3450920	Bracket, Switch Mounting	31	3412080	Bucket, Ice
4	6200210	Screw, #8-32 x 1/2" Flat Head	32	NA	
5	3516010	Molding, Side	33	6200780	Screw, #10-24 x 1/2" PH Hex Wash
6	3421510	Bracket, Ref to Cabinet	34	0167662	Kickplate Bracket - LS
7	6200720	Screw, Tap, #8 x 1/2" PH FL HD	35	3580170	Nameplate
8	3520420	Insert / Diffuser Stand-off	36	4181330	Tray, Glass Lwr-High
9	4161140	Light Diffuser Assy	37	4161310	Cold Plate Assy, Lower
10	3516451	Molding, Top RH	38	4161290	Switch Enclosure Assy (700TFI-3)
	3516452	Molding, Top LH		4161770	Switch Enclosure Assy (700TF-3)
11	3602320	Shelf, Glass Cantilever	39	4281131	Cold Plate Assy, Upr TF Srvc
12	3602270	Shelf Ladder, Left	40	NA	
13	6200710	Screw, #8-18 x 3/8" Fillister HD	41	NA	
14	3602280	Shelf Ladder, Right	42	NA	
15	6201270	Screw, #8-18 x 5/8" PH PN SS-Gnd	43	NA	
16	3541020	Closer, Drawer-RH	44	NA	
17	6200110	Screw, #10-12 x 5/8" Truss SS	45	NA	
18	3550720	Pin, White Thread	46	NA	
19	4134430	Drawer Assy, Slide-RH	47	4152070	Trim Assy, Top
20	6202030	Screw, 1/4-20 x 1/2" But HD, Patchlk	48	0167550	Bracket, Anti-Tip
21	4134440	Drawer Assy, Slide-LH	49	3421460	Bracket, Unit to Unit
22	0167661	Kickplate Bracket - RS	50	3754220	Door Panel Drilling Template
23	6200050	Screw, #10-12 x 1/2" Pan HD	51	4162610	Control Panel Assy, Service
24	3530430	Grille, Kickplate	52	6202050	Screw, #8-18X1/2 Ph Pn SS-Gnd
25	6201120	Screw, #8-18 X 2 Truss Hd			
26	6201330	Screw, #8 PH-Pan Head 1"			
27	0263080	Drain Pan, 700			



700TF/I-3 COSMETIC VIEW

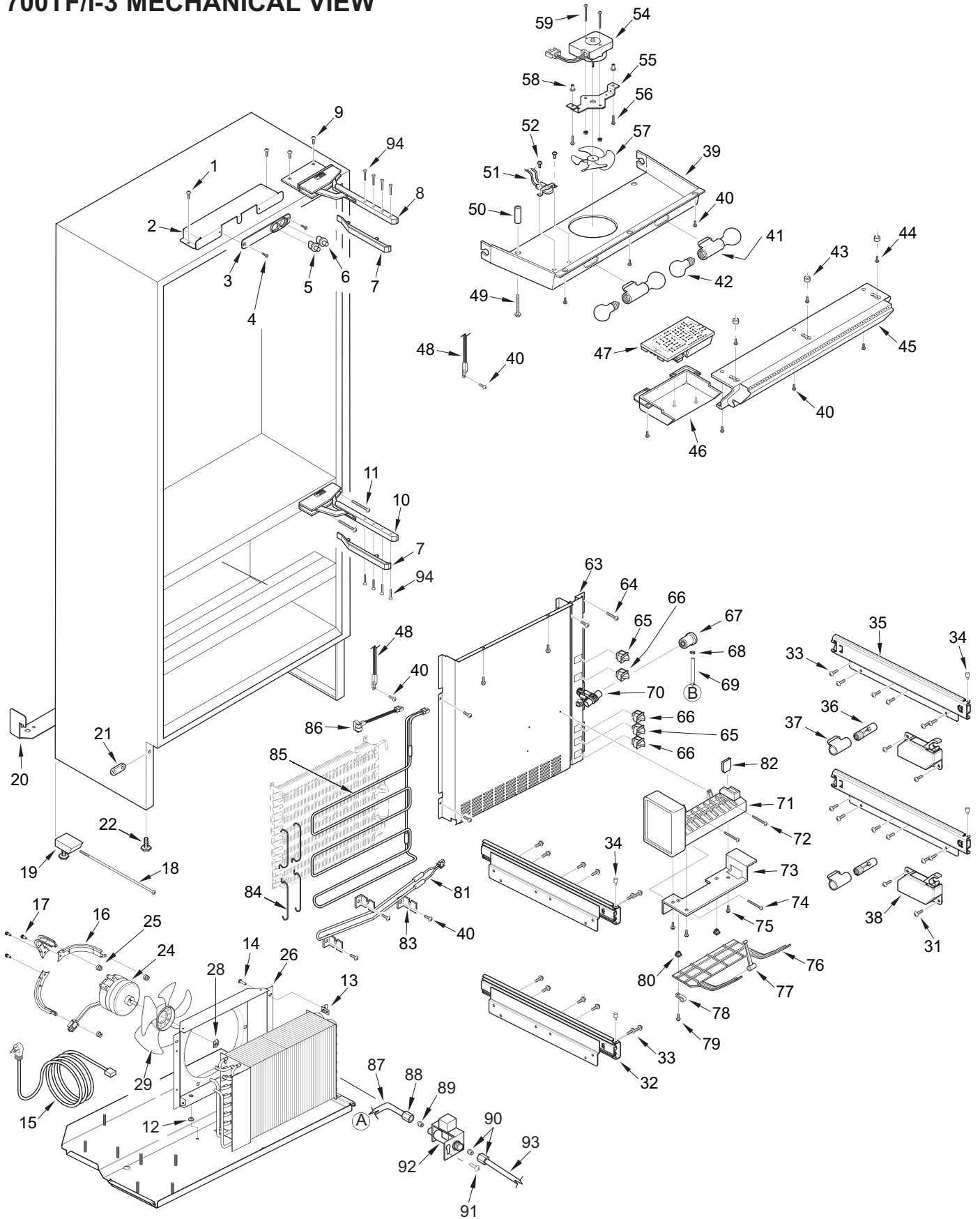




700TF/I-3 MECHANICAL PARTS LIST

Ref #	Part #	Description	Ref #	Part #	Description
1	6200010	Screw, #10-12 x 3/4" Pan HD	53	NA	
2	4161203	Switch Box Assy, Door (RH)	54	4200160	Motor Assy, Freezer Fan, Svce
	4161204	Switch Box Assy, Door (LH)	55	0260370	Bracket, Fan (Production)
3	3450920	Bracket, Switch Mounting	56	6201470	Screw, #8-32X3/4 SS
4	6200210	Screw, #8-32 x 1/2" Flat Head	57	3151000	Blade, Fre 130MM 4 Pedal Black
5	3060030	Switch, Light	58	6150850	Wellnut, #8-32
6	3060020	Switch, Fan	59	6201820	Screw,#8-32X1 3/4 SS PNHD
7	3541050	Hinge Cover	60	NA	
8	3541031	Hinge Assy, TOP - RH	61	NA	
	3541032	Hinge Assy, TOP - LH	62	NA	
9	6200780	Screw, #10-24 x 1/2" PH Hex Washer	63	4161290	Switch Enclosure Assy (700TFI)
10	3541041	Hinge Assy, MDL - RH		4161770	Switch Enclosure Assy (700TF)
	3541042	Hinge Assy, MDL - LH	64	6201120	Screw, #8-18 X 2 Truss Hd
11	6201600	Screw,1/4-20X5/8 Sems But Hd	65	3060140	SPST Light Switch (2)
12	3220370	Grommet, 1/4" X 3/16"	66	3060130	SPST Fan/Icemaker Switch (3)
13	3450290	Bracket, Angle #8a	67	1607600	Water Inlet Tube
14	6200010	Screw, #10-12 x 3/4" Pan HD	68	6220470	Fill Tube Clamp
15	7002603	Cord,Power SVCE	69	2600617	Plastic Water Line (See SN Breaks)
16	0261150	Bracket, Cond Fan Mtg (3)		3024920	Tube, Plstc Water Pex (See SN Breaks)
17	6201580	Screw,#8-36 X 1/2 Nylon Patch	70	2605405	Tube, Extension Fill
18	3421500	Adjusting Rod		3070210	Heater, Fill Tube
19	4202000	Rear Leveler Assembly	71	4200520	Modular Icemaker
20	0167550	Bracket, Anti-Tip	NOTE: For individual icemaker service components, see pages 42 and 43.		
21	3421460	Bracket, Unit to Unit	72	6200320	Screw, #8-32 x 1/2" Truss Head
22	3570060	Bolt, Leveler 3/8-16X2-1/8	73	0167700	Bracket, Icemaker
23	3210340	Neoprene Silencer, 7/8"	74	6200320	Screw, #8-32 x 1/2" Truss Head
24	4200740	Motor Pkg, Cond Fan	75	6201000	Screw #8-32X3/8 Thread Forming
25	3220360	Grommet, Mtg Brkt	76	3140300	Arm, Icemaker Cntrl
26	4281310	Shroud Assy, Cond Fan Srvc	77	3421070	Rod, Connecting
27	NA		78	6120280	Clamp, Tube Nylon 3/16"
28	6150410	Nut, 1/4-20	79	6200140	Screw, #8-15 x 3/8" Truss HD
29	3150800	Blade, Condenser Forward-SW	80	6220220	Screw Grommet, 1/32 x 3/8" SQ
	3210340	Neoprene Silencer, 7/8"	81	3070150	Heater, Drain Trough
30	NA		82	3140360	Fill Cup Plug
31	6200110	Screw, #10-12 x 5/8" Truss SS	83	0234620	Bracket, Heater
32	4134430	Drawer Assy, Slide-RH	84	1801100	Clip, SS Heater Blower
33	6202030	Screw, 1/4-20 x 1/2" But HD, Patchlk	85	3070110	Heater, Defrost
34	3550720	White Thread Pin	86	3081230	Terminator, Defrost
35	4134440	Drawer Assy, Slide-LH	87	2600617	Plastic Water Line (See SN Breaks)
36	3030060	Bulb, Light 25W 1X2-1/2		3024920	Tube, Plstc Water Pex (See SN Breaks)
37	3050220	Socket, Light Int Base Sngl	88	3520030	Icemaker Nylon Nut, 1/4"
38	3541020	Closer, Drawer	89	3520050	Brass Insert, Solenoid
39	4230541	Shroud Assy, Ref FanSrvc	90	3520490	PCKG,Water Valve Fitting
40	6201270	Screw, #8-18 x 5/8" PH PN SS-Gnd	91	6200780	Screw, #10-24 x 1/2" PH Hex Washer
41	3050250	Socket, Light Med Base Dbl	92	4202790	Water Valve (See SN Breaks)
42	3030030	Bulb, Light 40W		4204630	Valve Assy, Quick Cnct (See SN Breaks)
43	6160240	Nylon Spacer	93	3024910	Tube, Plastic Wtr Pex (See SN Breaks)
44	6200720	Screw, #8-18 x 1/2 PH Truss HD	94	6110610	Screw, #10-24 x 3/4 FL Socket HD
45	4162610	Control Panel Assy, Service	NOT SHOWN		
46	4152050	Cover Assy, Control	3021140	W/H, Cabinet	
47	4204380	Board, Cntrl Service 600/700	3026470	W/H, Unit	
48	4204150	Thermistor, ASM Srvc Pkg	1601400	Drain Tube, Wire - 1/2" x 72"	
49	6201010	Screw, #8-15 x 2" Pan Head			
50	6220540	Screw Grommet/Stand-off, 1.375			
51	3082140	Light Terminator			
	3024310	W/H, Ref Light (Incl Terminator)			
52	6180010	Pop Rivet, 1/8"			

700TF/I-3 MECHANICAL VIEW

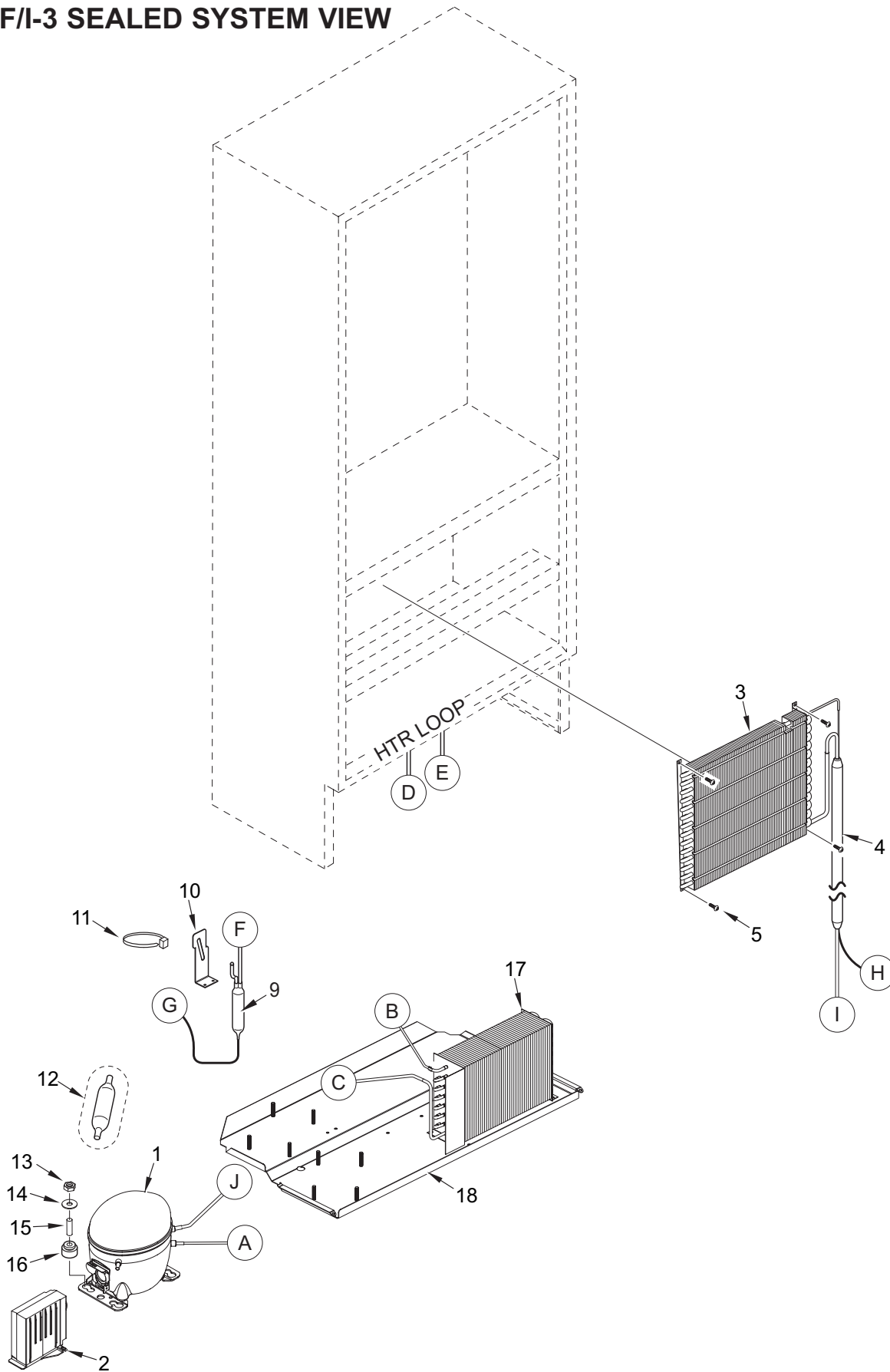




700TF/I-3 SEALED SYSTEM PARTS LIST

<u>Ref #</u>	<u>Part #</u>	<u>Description</u>
1	4204741	Pckg, Comp Fre VEGY (V-Spd) SRVC (Includes Inverter)
2	7003828	Inverter, VEGY Compressor Svce
3	3130540	Evaporator, Fre
4	4251800	Heat Exch, Fre
5	6201270	Screw, #8-18 x 5/8" PH PN SS-Gnd
6	NA	
7	NA	
8	NA	
9	3014230	Filter-Drier, High Side
10	0260341	Bracket, Drier
11	6120170	Locking Cable Tie, Red, 11-1/2"
12	3014100	Drier, Suction Line (Service Only)
13	6150220	Nut, 5/16-18 Hex Zinc (4 each compressor)
14	6240050	Washer, Flat 5/16" (4 each compressor)
15	6160070	Sleeve, 5/16 x 7/16 x 7/8" (4 each compressor)
16	3150170	Rubber Grommet, Large, 15/16" (4 each compressor)
17	3120400	Condenser
18	NA	Tray, Unit - Special Order, Contact Factory

700TF/I-3 SEALED SYSTEM VIEW





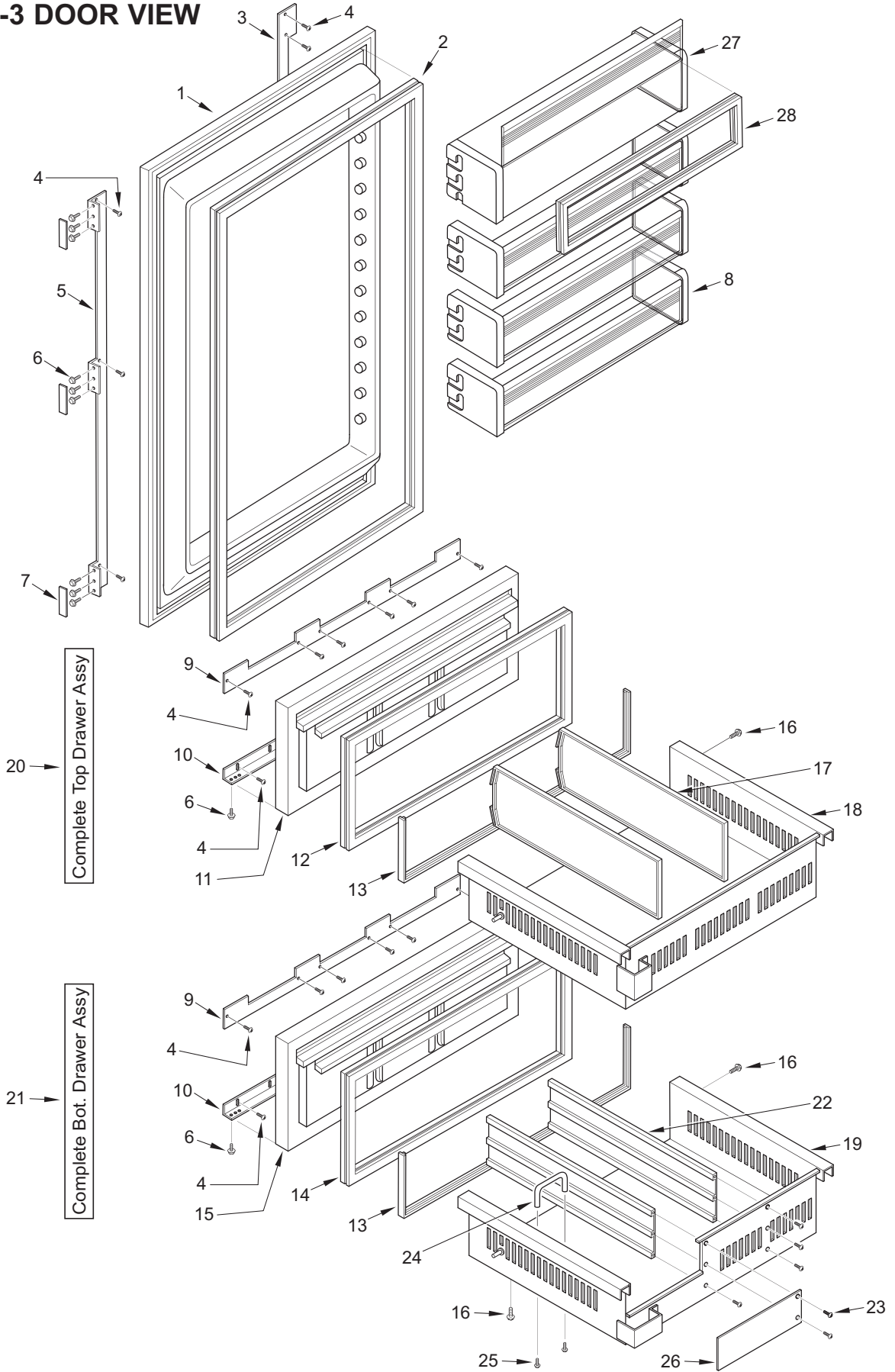
736TC/I-3 DOOR PARTS LIST

<u>Ref #</u>	<u>Part #</u>	<u>Description</u>	<u>Ref #</u>	<u>Part #</u>	<u>Description</u>
1	4135201	Door Assy, 736 RH	15	4135203	SRVC Drawer Front Assy, Bot
	4135202	Door Assy, 736 LH	16	6200110	Screw, #10-12 x 5/8" Truss SS
2	3212310	Gasket, Door	17	3414020	Divider, Top Drawer
3	3421960	Brkt, Door Panel Mtg Handle Side	18	3414650	Tub, Upper Drawer
4	6200720	Screw, #8-18 x 1/2 PH Truss HD	19	3414660	Tub, Lower Drawer
5	3421950	Brkt, Door Panel Mtg Hinge Side	20	4135190	Drawer Assy, Top
6	6201500	Screw, #10X3/4 Drill PH Hex Was	21	4135200	Drawer Assy, Lwr
7	3421490	Panel Bracket Cover	22	3414030	Divider, Bottom Drawer
8	4182070	Shelf Assy, Door	23	6200710	Screw, #8-18 x 3/8" Fillister HD
9	3422010	Brkt, Door Panel Mtg Dwr Top	24	3511040	3" Wire Pull (w/IM only)
10	3422020	Brkt, Door Panel Mtg Dwr Bot	25	6200080	Screw, #8-15 x 1/2" Truss HD (w/IM only)
11	4135191	SRVC Drawer Front Assy, Top		3550400	Hole Plug (w/o IM only)
12	3212320	Gasket, Door/Drawer UPR	26	3412420	Filler Plate, Drawer Tub (w/o IM only)
13	3212470	Seal, Drawer Tub 736	27	4182060	Compartment Assy, Dairy (Includes Seal)
14	3212330	Gasket, Door/Drawer LWR	28	3212340	Seal, Dairy Compartment

NOTE: Door/Drawer panels on this model are a sales accessories. For part numbers of complete door panel sets or components of the door panel sets, contact the factory.



736TC/I-3 DOOR VIEW



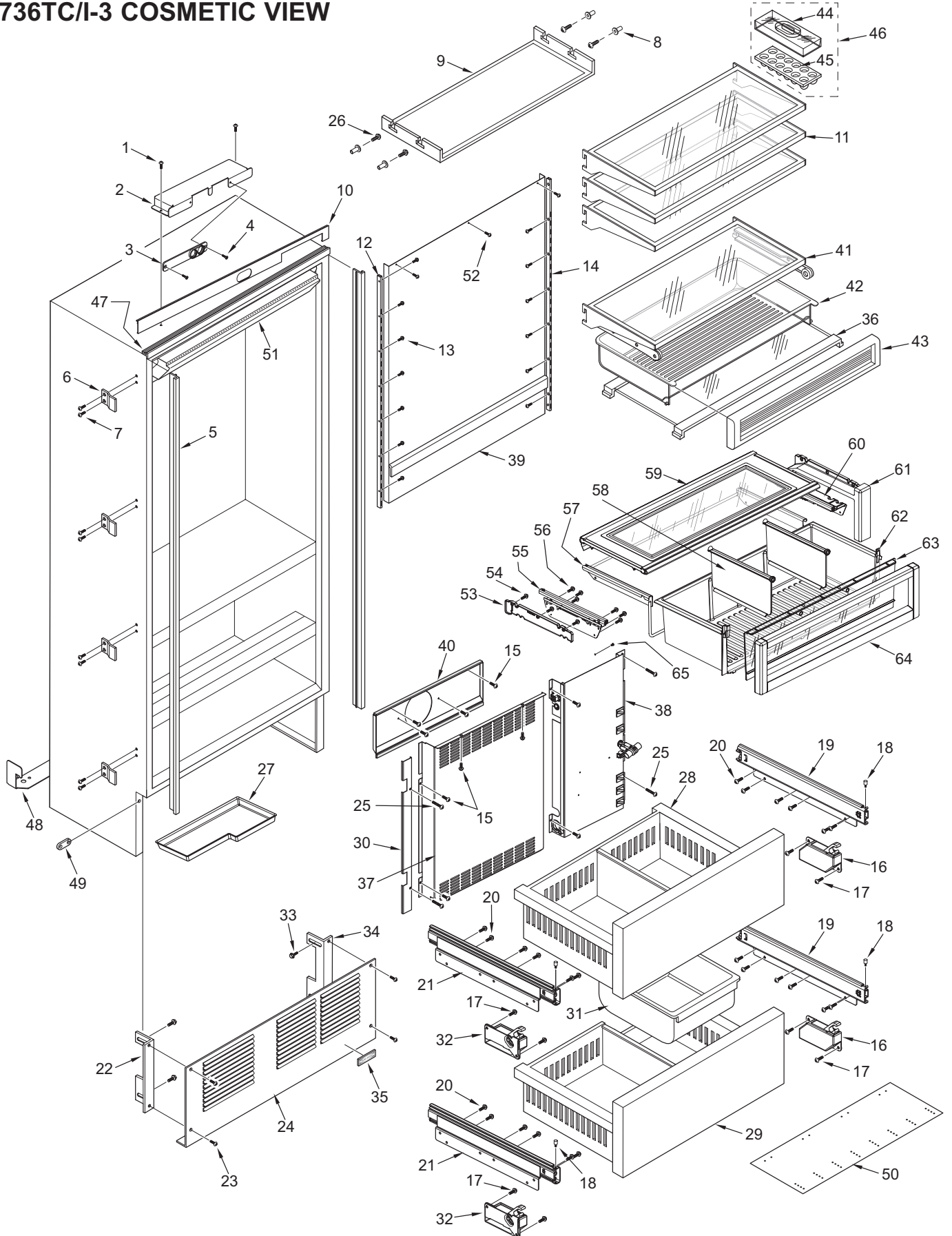


736TC/I-3 COSMETIC PARTS LIST

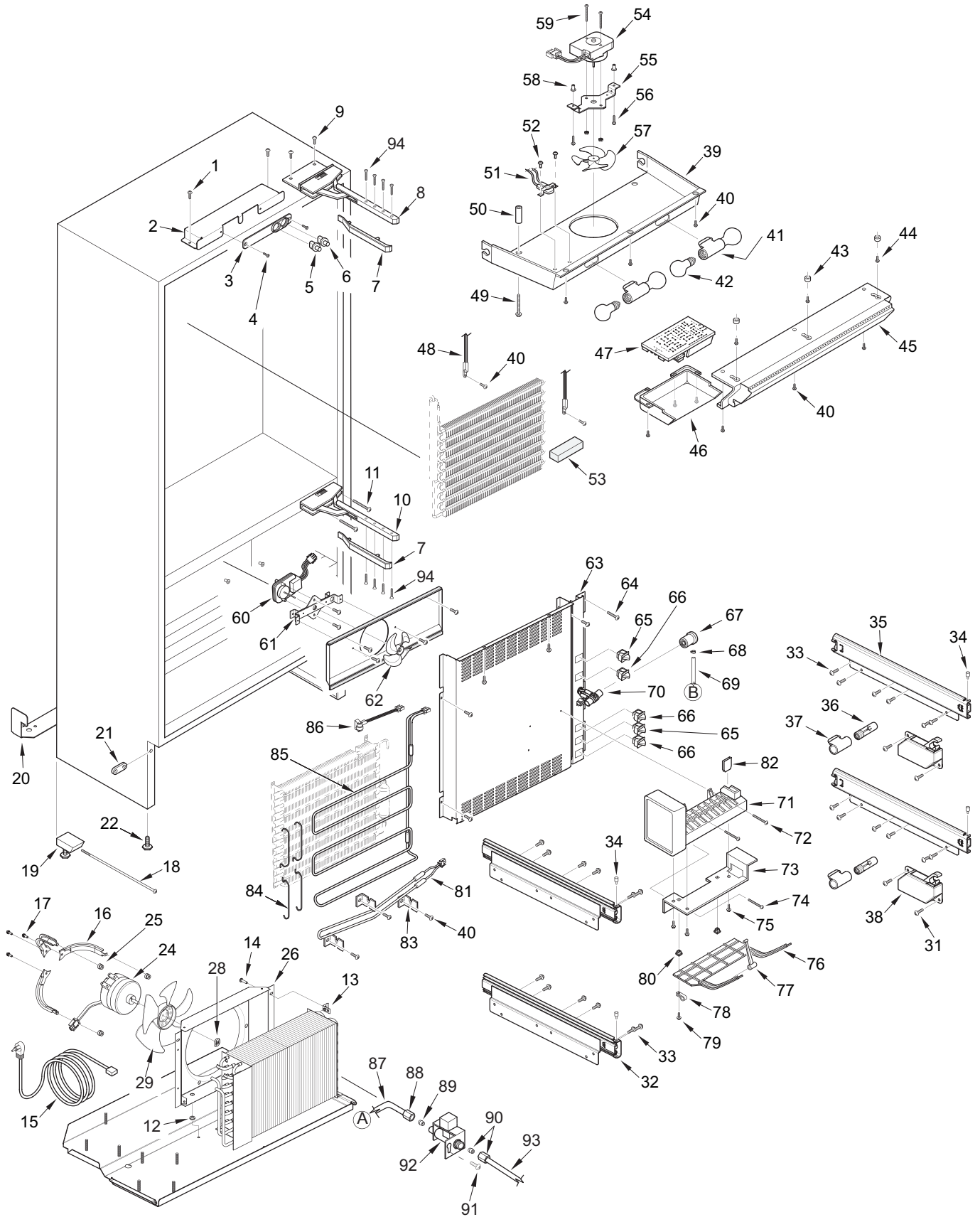
<u>Ref #</u>	<u>Part #</u>	<u>Description</u>	<u>Ref #</u>	<u>Part #</u>	<u>Description</u>
1	6200010	Screw, #10-12 x 3/4" Pan HD	41	4182191	Shelf Assy, Deli-RH (See SN Breaks)
2	4161203	Switch Box Assy, Door (RH)		4182192	Shelf Assy, Deli-LH (See SN Breaks)
	4161204	Switch Box Assy, Door (LH)	42	4182080	Tray Assy, Deli (See SN Breaks)
3	3450920	Bracket, Switch Mounting		3414410	Tray, Deli (See SN Breaks)
4	6200210	Screw, #8-32 x 1/2" Flat Head	43	3414420	Front, Deli (See SN Breaks)
5	3516010	Molding, Side	44	3412280	Cover, Egg Tray
6	3421510	Bracket, Ref to Cabinet	45	3412270	Container, Egg Tray
7	6200720	Screw, Tap, #8 x 1/2" PH FL HD	46	4131810	Egg Tray with Cover
8	3520420	Insert / Diffuser Stand-off	47	4152350	Trim Assy, Top 36
9	4162860	Diffuser Assy, Light	48	0862460	Bracket, Anti-Tip
10	3516991	Molding, Top RH	49	3421460	Bracket, Unit to Unit
	3516992	Molding, Top LH	50	3758359	Template, Drilling Door Panel
11	3601901	Shelf, Glass	51	4162841	SRVC Cntrl Panel Assy,736TC/I
12	3602440	Ladder, Shelf Left	52	6202050	Screw, #8-18X1/2 Ph Pn SS-Gnd
13	6200710	Screw, #8-18 x 3/8" Fillister HD	53	7002380	Support,Crspr Shlf Narrow LH Svce (See SN Breaks)
14	3602450	Ladder, Shelf Right		7002382	Support,Crspr Shlf Wide LH Svce (See SN Breaks)
15	6201270	Screw, #8-18 x 5/8" PH PN SS-Gnd	54	6201130	Screw, #8x1/2" PH FL HD SS
16	3541020	Closer, Drawer-RH	55	7002371	Slide Assy, Crisper Narrow LH Svce (See SN Breaks)
17	6200110	Screw, #10-12 x 5/8" Truss SS		7002373	Slide Assy, Crisper Wide LH Svce (See SN Breaks)
18	3550720	Pin, White Thread	56	6201270	Screw, #8-18 x 5/8" PH PN SS-Gnd
19	3414671	Slide, Full Extension Drawer RH	57	7002378	Carriage, Crisper Drawer Svce (See SN Breaks)
20	6202030	Screw, 1/4-20 x 1/2" But HD, Patchlk	58	7002377	Divider, Crisper Drawer (See SN Breaks)
21	3414672	Slide, Full Extension Drawer LH	59	7002368	Shelf Assy,Crisper Svce (See SN Breaks)
22	0167666	Kickplate Brkt, LH	60	7002370	Slide Assy, Crisper Narrow RH Svce (See SN Breaks)
23	6200050	Screw, #10-12 x 1/2" Pan HD		7002372	Slide Assy, Crisper Wide RH Svce (See SN Breaks)
24	4242480	Kickplate/Grille, 736	61	7002379	Support,Crspr Shlf Narrow RH Svce (See SN Breaks)
25	6201120	Screw, #8-18 X 2 Truss Hd		7002381	Support,Crspr Shlf Wide RH Svce (See SN Breaks)
26	6201330	Screw, #8 PH-Pan Head 1"	62	7002369	Drawer Assy, Crisper Svce (See SN Breaks)
27	0262160	Pan, Drain		7002374	Drawer, Crisper Svce (See SN Breaks)
28	4135190	Drawer Assy, Top (See DOOR PARTS LIST for breakdown)	63	7002376	Window, Crisper Drawer Svce (See SN Breaks)
29	4135200	Drawer Assy, Lwr (See DOOR PARTS LIST for breakdown)	64	7002375	Bezel, Crisper Drawer Svce (See SN Breaks)
30	0235570	Cover, Heat Exchanger	65	6180370	Rivet, Plastic .102 Dia
31	3412080	Bucket, Ice			
32	3541320	Closer, Drawer LH			
33	6200780	Screw, #10-24 x 1/2" PH Hex Wash			
34	0167665	Kickplate Brkt, RH			
35	3580170	Nameplate			
36	4182130	Shelf Assy, Ref Floor (See SN Breaks)			
37	0201350	Cold Plate, Fre			
38	4162870	Switch Box Assy, Fre <w/o IM>			
	4163000	Switch Box Assy, Fre w/Icemaker			
39	4281590	Cold Plate Assy			
40	4281300	Plate Assy, Fre Orifice SRVC			



736TC/I-3 COSMETIC VIEW



736TC/I-3 MECHANICAL VIEW

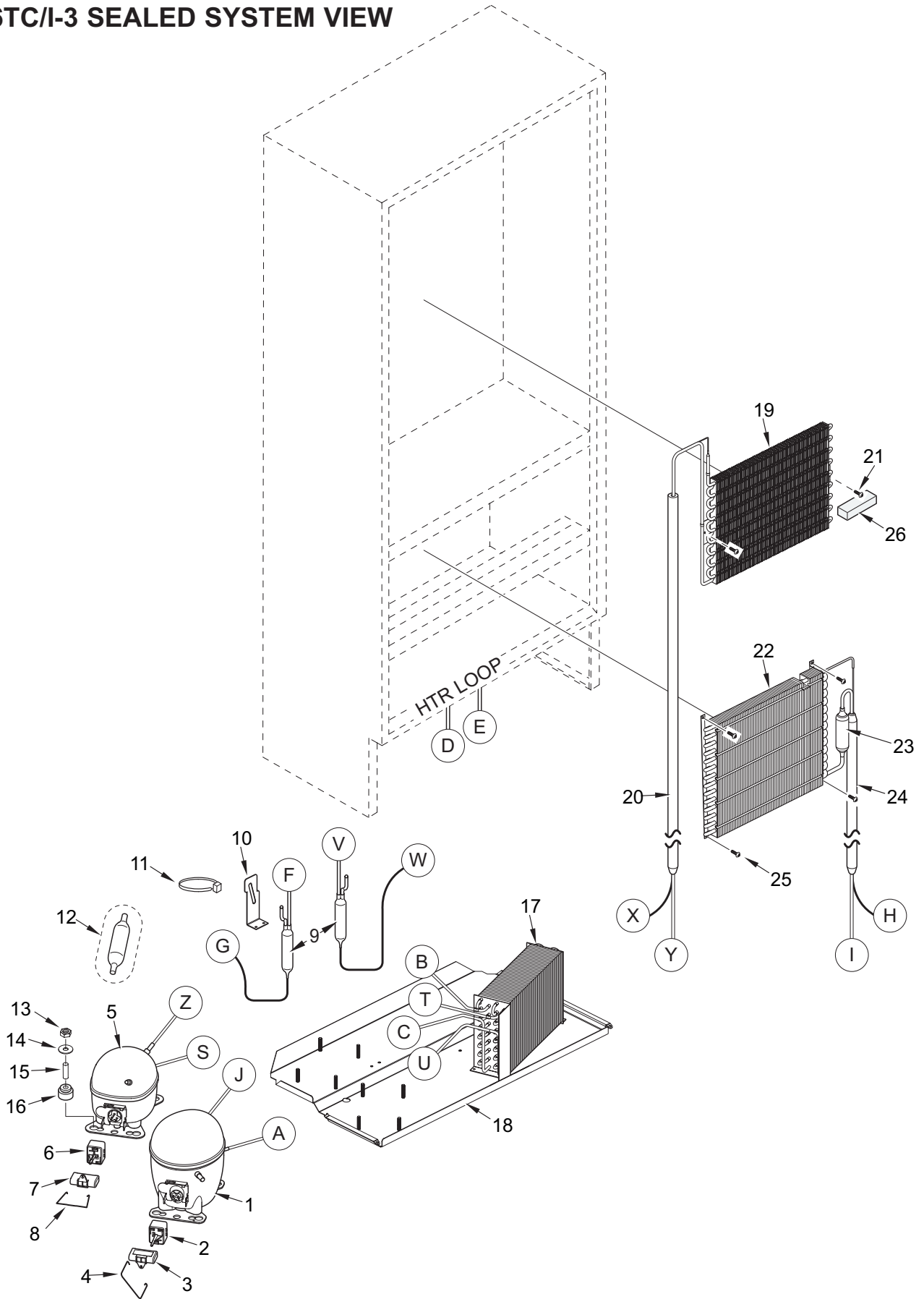




736TC/I-3 SEALED SYSTEM PARTS LIST

<u>Ref #</u>	<u>Part #</u>	<u>Description</u>
1	7002345	Compressor Assy, EGUS70HLP Svce
2	3112621	Electrical Assy, EGUS70HLP (Used with EGUS70HLP Comp.)
	3112214	Electrical Assy, EGU70 (Used with EGU70HLC Comp.)
	3111350	Relay, (8EA403) (Used with FGS70HA Comp.)
	3111380	Overload, (4TM283ULB) (Used with FGS70HA Comp.)
3	3112500	Capacitor (12Mf) (Used with EGUS70HLP Comp.)
	3111270	Capacitor (20Mf) (Used with EGU70HLC & FGS70HA Comp's.)
4	3112420	Term Cvr Spring, EGZ80 (Used with EGUS70HLP & EGU70HLC Comp.)
5	4201880	Compressor, Refrig. (EMI30HER - Service Compressor)
	3111370	Relay, (1351400 - Used w/EMI30HER Service Comp.)
	3111410	Overload, (4TM734LFB - Used w/EMI30HER Service Comp.)
6	3112212	Electrical Assy, EMT30HSC Comp (Used w/EMT30HSC Production Comp.)
7	3112500	Capacitor, 12MF (Used with EMT30HSC Production Comp.)
8	3112420	Term Cvr Spring, EGZ80 (Used with EMT30HSC Production Comp.)
9	3014230	Filter-Drier, High Side
10	0260341	Bracket, Drier
11	6120170	Locking Cable Tie, Red, 11-1/2"
12	3014100	Drier, Suction Line (Service Only)
13	6150220	Nut, 5/16-18 Hex Zinc (4 each compressor)
14	6240050	Washer, Flat 5/16" (4 each compressor)
15	6160070	Sleeve, 5/16 x 7/16 x 7/8" (4 each compressor)
16	3150170	Rubber Grommet, Large, 15/16" (4 each compressor)
17	3120340	Condenser
18	NA	Tray, Unit - Special Order, Contact Factory
19	3130630	Evaporator, Ref
20	4251650	Heat Exch, Ref
21	6201270	Screw, #8-18 x 5/8" PH PN SS-Gnd
22	3130540	Evaporator, Fre
23	3011130	Accumulator
24	4251790	Heat Exch, Fre
25	6201270	Screw, #8-18 x 5/8" PH PN SS-Gnd
26	6231490	Tape, Foam XLPE

736TC/I-3 SEALED SYSTEM VIEW





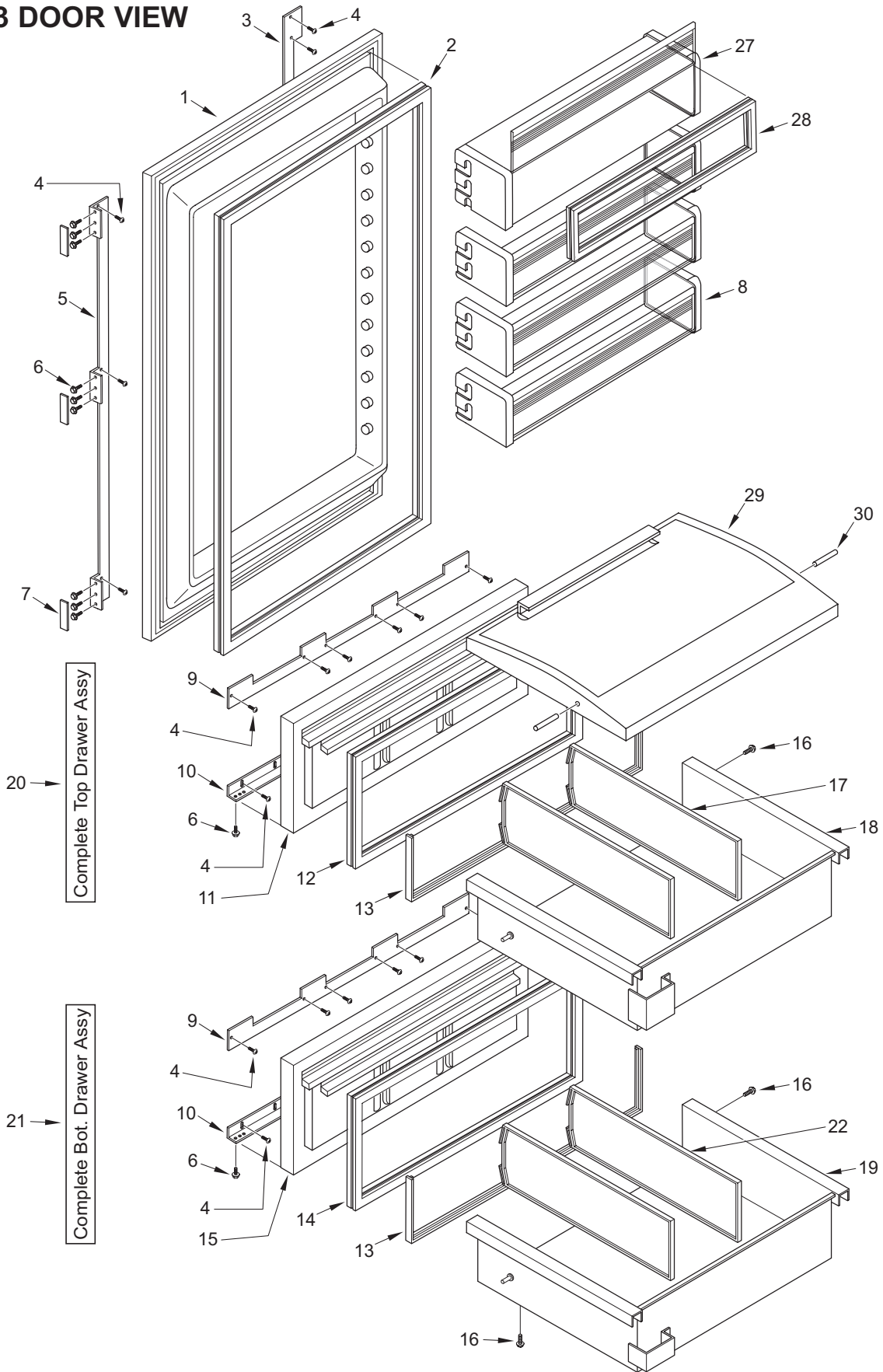
736TR-3 DOOR PARTS LIST

<u>Ref #</u>	<u>Part #</u>	<u>Description</u>	<u>Ref #</u>	<u>Part #</u>	<u>Description</u>
1	4135201	Door Assy, 736 RH	16	6200110	Screw, #10-12 x 5/8" Truss SS
	4135202	Door Assy, 736 LH	17	3414020	Divider, Top Drawer
2	3212310	Gasket, Door	18	7002709	Drawer, Tub Upper Svce
3	3421960	Brkt, Door Panel Mtg Handle Side	19	7002710	Drawer, Tub Lower Svce
4	6200720	Screw, #8-18 x 1/2 PH Truss HD	20	7002711	Drawer Assy, Top Svce
5	3421950	Brkt, Door Panel Mtg Hinge Side	21	7002712	Drawer Assy, Bottom Svce
6	6201500	Screw, #10X3/4 Drill PH Hex Was	22	7002713	Divider, Bottom Drawer Svce
7	3421490	Panel Bracket Cover	23	NA	
8	4182070	Shelf Assy, Door	24	NA	
9	3422010	Brkt, Door Panel Mtg Dwr Top	25	NA	
10	3422020	Brkt, Door Panel Mtg Dwr Bot	26	NA	
11	7002708	Drawer Assy, Front Top Svce	27	4182060	Compartment Assy, Dairy (Includes Seal)
12	3212320	Gasket, Door/Drawer UPR	28	3212340	Seal, Dairy Compartment
13	3212470	Seal, Drawer Tub 736	29	7002714	Crisper Assy, Svce
14	3212330	Gasket, Door/Drawer LWR	30	3412240	Pin, Crisper (2)
15	7002707	Drawer Assy, Front Bot Svce			

NOTE: Door/Drawer panels on this model are a sales accessories. For part numbers of complete door panel sets or components of the door panel sets, contact the factory.



736TR-3 DOOR VIEW



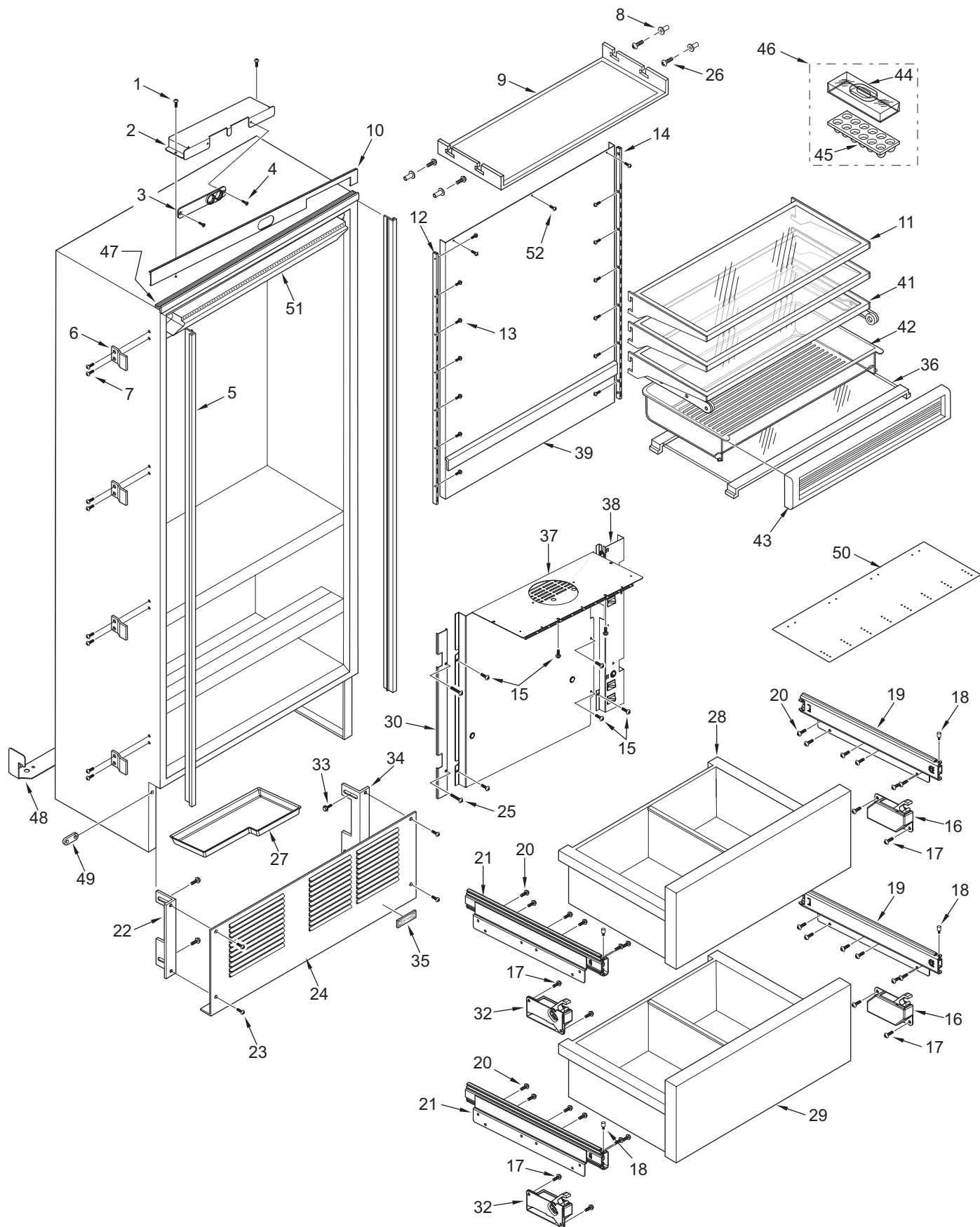


736TR-3 COSMETIC PARTS LIST

<u>Ref #</u>	<u>Part #</u>	<u>Description</u>	<u>Ref #</u>	<u>Part #</u>	<u>Description</u>
1	6200010	Screw, #10-12 x 3/4" Pan HD	28	7002711	Drawer Assy, Top Svce (See DOOR PARTS LIST for breakdown)
2	4161203	Switch Box Assy, Door (RH)	29	7002712	Drawer Assy, Bottom Svce (See DOOR PARTS LIST for breakdown)
	4161204	Switch Box Assy, Door (LH)	30	7002715	Cover, Heat Exchanger Svce
3	3450920	Bracket, Switch Mounting	31	NA	
4	6200210	Screw, #8-32 x 1/2" Flat Head	32	3541320	Closer, Drawer LH
5	3516010	Molding, Side	33	6200780	Screw, #10-24 x 1/2" PH Hex Wash
6	3421510	Bracket, Ref to Cabinet	34	0167665	Kickplate Brkt, RH
7	6200720	Screw, Tap, #8 x 1/2" PH FL HD	35	3580170	Nameplate
8	3520420	Insert / Diffuser Stand-off	36	4182130	Shelf Assy, Ref Floor
9	4162860	Diffuser Assy, Light	37	7002723	Cover Assy, Evap Svce
10	3516991	Molding, Top RH	38	7002717	Switch Box Assy, Svce
	3516992	Molding, Top LH	39	7002716	Cover, Evap Svce
11	3601901	Shelf, Glass	40	NA	
12	3602440	Ladder, Shelf Left	41	4182191	Shelf Assy, Deli-RH
13	6200710	Screw, #8-18 x 3/8" Fillister HD		4182192	Shelf Assy, Deli-LH
14	3602450	Ladder, Shelf Right	42	4182080	Tray Assy, Deli
15	6201270	Screw, #8-18 x 5/8" PH PN SS-Gnd	43	3414410	Tray, Deli
16	3541020	Closer, Drawer-RH	44	3414420	Front, Deli
17	6200110	Screw, #10-12 x 5/8" Truss SS	45	3412280	Cover, Egg Tray
18	3550720	Pin, White Thread	46	3412270	Container, Egg Tray
19	3414671	Slide, Full Extension Drawer RH	47	4131810	Egg Tray with Cover
20	6202030	Screw, 1/4-20 x 1/2" But HD, Patchlk	48	4152350	Trim Assy, Top 36
21	3414672	Slide, Full Extension Drawer LH	49	0862460	Bracket, Anti-Tip
22	0167666	Kickplate Brkt, LH	50	3421460	Bracket, Unit to Unit
23	6200050	Screw, #10-12 x 1/2" Pan HD	51	3758359	Template, Drilling Door Panel
24	4242480	Kickplate/Grille, 736	52	7002718	Control Assy, Front Svce
25	6201120	Screw, #8-18 X 2 Truss Hd		6202050	Screw, #8-18X1/2 Ph Pn SS-Gnd
26	6201330	Screw, #8 PH-Pan Head 1"			
27	0262160	Pan, Drain			



736TR-3 COSMETIC VIEW





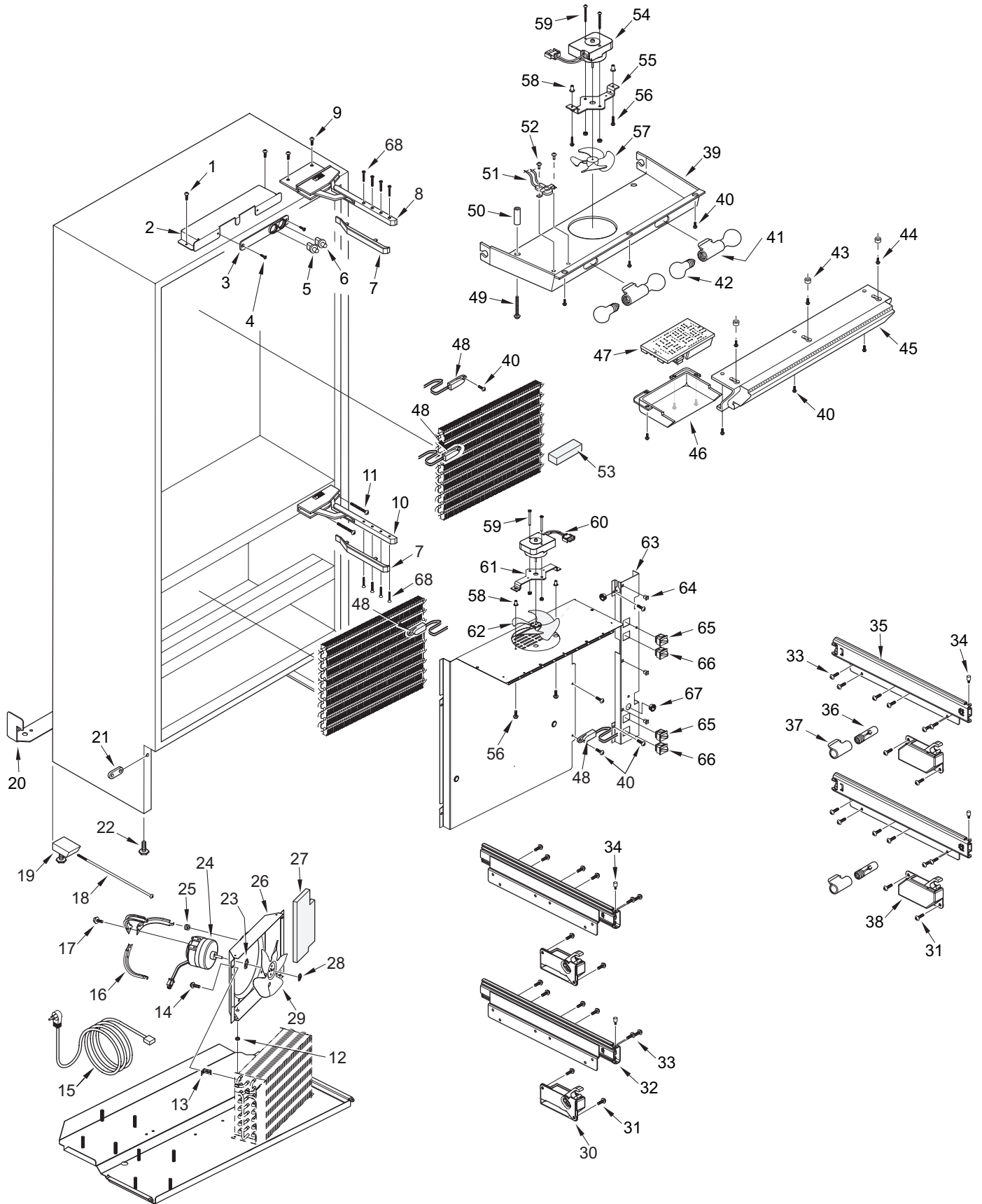
736TR-3 MECHANICAL PARTS LIST

<u>Ref #</u>	<u>Part #</u>	<u>Description</u>	<u>Ref #</u>	<u>Part #</u>	<u>Description</u>
1	6200010	Screw, #10-12 x 3/4" Pan HD	34	3550720	White Thread Pin
2	4161203	Switch Box Assy, Door (RH)	35	3414671	Slide, Full Extension Drawer RH
	4161204	Switch Box Assy, Door (LH)	36	3030060	Bulb, Light 25W 1X2-1/2
	0212471	Box, Rf SW	37	7003913	Socket, Light Int Base Sgl Svce
3	3450920	Bracket, Switch Mtg	38	3541020	Closer, Drawer
4	6200210	Screw, #8-32 x 1/2" Flat Head	39	4162880	Shroud Assy, Ref Fan
5	3060030	Switch, Light	40	6201270	Screw, #8-18 x 5/8" PH PN SS-Gnd
6	3060020	Switch, Fan	41	3050250	Socket, Light Med Base Dbl
7	3541300	Hinge Cover	42	3030030	Bulb, Light 40W
8	3541220	Hinge Assy, Top RH	43	6160240	Nylon Spacer
	3541230	Hinge Assy, Top LH	44	6200720	Screw, #8-18 x 1/2 PH Truss HD
9	6200780	Screw, #10-24 x 1/2" PH Hex Washer	45	7002718	Control Assy, Front Svce
10	3541311	Hinge Assy, Lwr RH	46	4152050	Cover Assy, Control
	3541312	Hinge Assy, Lwr LH	47	7002719	Control, Board Svce
11	6201600	Screw, 1/4-20X5/8 Sems But Hd	48	4204150	Thermistor, ASM Srvc Pkg
12	3220370	Grommet, 1/4" X 3/16"	49	6201010	Screw, #8-15 x 2" Pan Head
13	3450290	Bracket, Angle #8a	50	6220540	Screw Grommet/Stand-off, 1.375
14	6200010	Screw, #10-12 x 3/4" Pan HD	51	3082140	Light Terminator
15	7002603	Cord,Power SVCE		3024310	W/H, Ref Light (Incl Terminator)
16	0261150	Bracket, Cond Fan Mtg (3 Required)	52	6180010	Pop Rivet, 1/8"
17	6201580	Screw,#8-36 X 1/2 Nylon Patch	53	6231490	Tape, Foam XLPE
18	3421500	Adjusting Rod	54	4200170	Motor Assy, Repl. Ref Fan, Svce
19	4202000	Rear Leveler Assembly	55	7003914	Bracket, Fan Svce (For Production Fan)
20	0862460	Bracket, Anti-Tip	56	6201470	Screw, #8-32X3/4 SS
21	3421460	Bracket, Unit to Unit	57	3150640	Fan Blade, Evaporator
22	3570060	Bolt, Leveler 3/8-16X2-1/8	58	6150850	Wellnut, #8-32
23	3210340	Neoprene Silencer, 7/8"	59	6201820	Screw,#8-32X1 3/4 SS PNHD
24	3150890	Motor, Condenser	60	4200170	Motor Assy, Repl. Ref Fan, Svce
25	3220360	Grommet, Mtg Brkt	61	7003915	Bracket, Evap Fan Srvc
26	4281730	SRVC Shroud Assy, Cond Fan	62	3151000	Blade, Fre 130MM 4 Pedal Black
27	3320820	Pad, Foam	63	7002717	Switch Box Assy, Svce
28	6150410	Nut, 1/4-20	64	6220050	Screw Grommet, 1/2" x 5/8"
29	3150800	Blade, Condenser Forward-SW	65	3060140	SPST Light Switch (2)
30	3541320	Closer, Drawer LH	66	3060130	SPST Fan/Icemaker Switch (2)
31	6200110	Screw, #10-12 x 5/8" Truss SS	67	3220510	Heyco, 3/4 #2873 (2)
32	3414672	Slide, Full Extension Drawer LH	68	6110610	Screw, #10-24 x 3/4 FL Socket HD
33	6202030	Screw, 1/4-20 x 1/2" But HD, Patchlk			

NOT SHOWN

7002724	W/H, Cabinet Svce
7002725	W/H, Unit Svce
1601400	Drain Tube, Wire - 1/2" x 72"

736TR-3 MECHANICAL VIEW

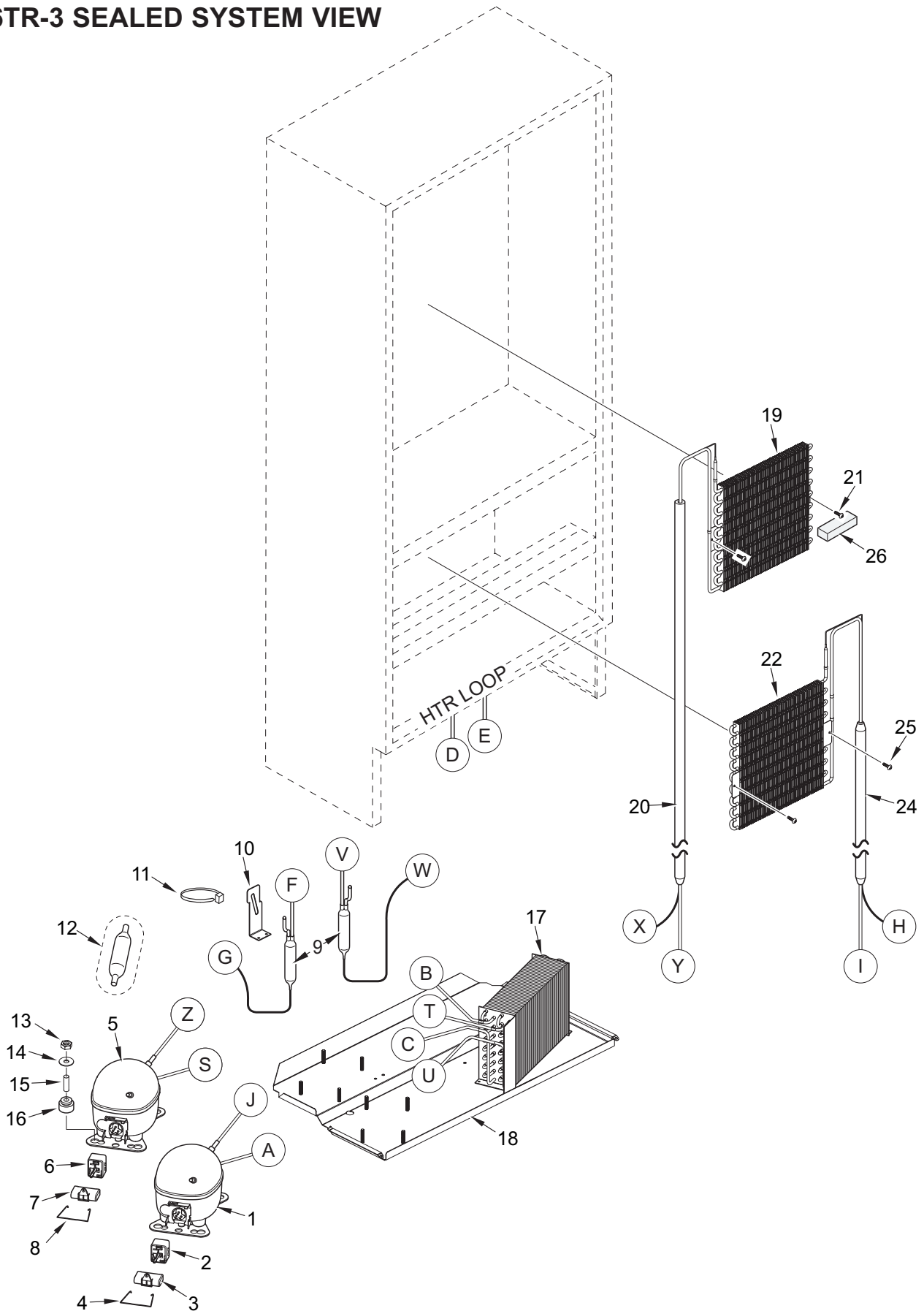




736TR-3 SEALED SYSTEM PARTS LIST

<u>Ref #</u>	<u>Part #</u>	<u>Description</u>
1	4201880	Compressor, Refrig. (EMI30HER - Service Compressor)
	3111370	Relay, (1351400 - Used w/EMI30HER Service Comp.)
	3111410	Overload, (4TM734LFB - Used w/EMI30HER Service Comp.)
2	3112212	Electrical Assy, EMT30HSC (Used with EMT30HSC Production Comp.)
3	3112500	Capacitor, 12MF (Used with EMT30HSC Production Comp.)
4	3112420	Term Cvr Spring, EGZ80 (Used with EMT30HSC Production Comp.)
5	4201880	Compressor, Refrig. (EMI30HER - Service Compressor)
	3111370	Relay, (1351400 - Used w/EMI30HER Service Comp.)
	3111410	Overload, (4TM734LFB - Used w/EMI30HER Service Comp.)
6	3112212	Electrical Assy, EMT30HSC (Used with EMT30HSC Production Comp.)
7	3112500	Capacitor, 12MF (Used with EMT30HSC Production Comp.)
8	3112420	Term Cvr Spring, EGZ80 (Used with EMT30HSC Production Comp.)
9	3014230	Filter-Drier, High Side
10	0260341	Bracket, Drier
11	6120170	Locking Cable Tie, Red, 11-1/2"
12	3014100	Drier, Suction Line (Service Only)
13	6150220	Nut, 5/16-18 Hex Zinc (4 each compressor)
14	6240050	Washer, Flat 5/16" (4 each compressor)
15	6160070	Sleeve, 5/16 x 7/16 x 7/8" (4 each compressor)
16	3150170	Rubber Grommet, Large, 15/16" (4 each compressor)
17	7002726	Condenser, Svce
18	NA	Tray, Unit - Special Order, Contact Factory
19	3130630	Evaporator, Ref
20	4251650	Heat Exch, Ref
21	6201270	Screw, #8-18 x 5/8" PH PN SS-Gnd
22	3130630	Evap Assy, Ref Lwr
23	NA	
24	7001098	Heat Exchanger, Ref Lwr
25	6201330	Screw, #8 PH-Pan Head 1"
26	6231490	Tape, Foam XLPE

736TR-3 SEALED SYSTEM VIEW





ICEMAKER PARTS LIST (USED IN 700TFI-3 ONLY)

<u>Ref #</u>	<u>Part #</u>	<u>Description</u>
1	4200520	Modular Icemaker
2	627790	Support/IM Housing
3	489163	Screw #10-32 X 43/64
4	628366	Module & Motor Assembly
5	681249	Screw
6	3140160	Icemaker Cover
7	627796	Thermostat Retainer
8	627985	Thermostat
9	627843	Ejector
10	628356	Bearing & Inlet
11	628228	Mold & Heater Assembly
12	627788	Ice Stripper
13	3140200	Shut-off Arm



ICEMAKER PARTS VIEW (USED IN 700TFI-3 ONLY)

