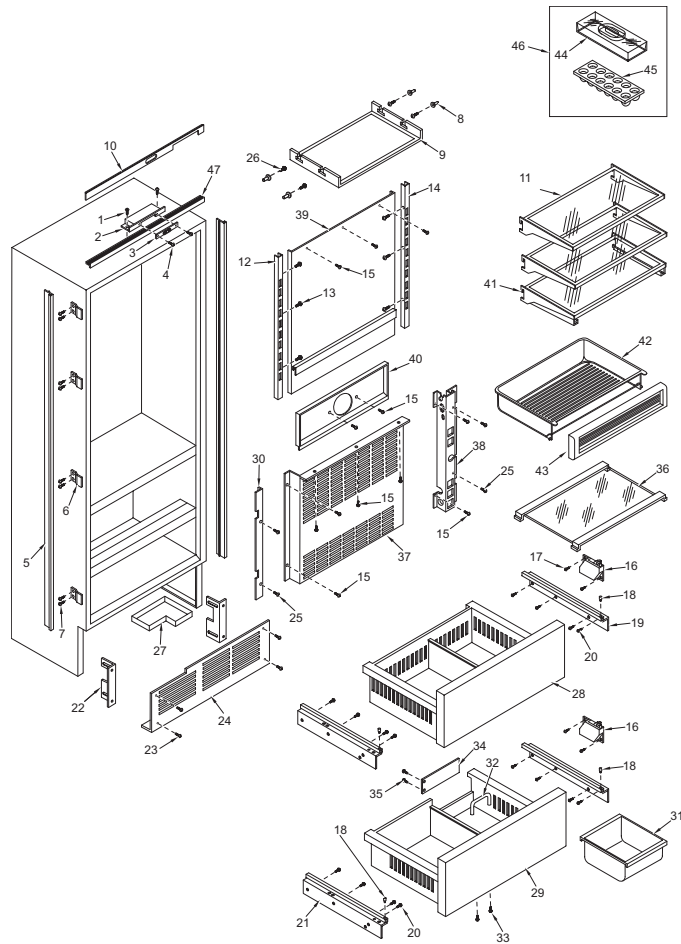




SERVICE PARTS MANUAL



INTEGRATED (700-2) SERIES



INTRODUCTION

This Sub-Zero Service Parts Manual, Part #3756781, has been compiled with the latest service parts information.

NOTE: *The following may be contained in, or after part descriptions:*

- , **B** = carBon Unit
- , **P** = Platinum Unit
- , **S** = classic Stainless steel

(See SN Breaks) = See Serial Number Breaks in Price List

(PTS #.....) = Prior To Serial Number.....

(SWS #.....) = Starting With Serial Number.....

The information and images contained in this manual are the copyright property of Sub-Zero Freezer Company, Inc. Neither this manual nor any information or images contained herein may be copied or used in whole or in part without the express written consent of Sub-Zero Freezer Company, Inc. ©, all rights reserved.

TECHNICAL ASSISTANCE

With questions regarding a Sub-Zero appliance and/or this manual, please contact:

*Sub-Zero Freezer Company, Inc.
 ATTN: Service Department
 P.O. Box 44988
 Madison, WI 53744-4988*

*Customer Service & Parts / Warranty Claims
 Phone #: (800) 332 - 9513*

*Technical Assistance
 Phone #: (800) 919 - 8324*

*Customer Service & Technical Assistance
 Facsimile #: (608) 441 - 5887*

*Parts / Warranty Claims
 Facsimile #: (608) 441 - 5886*

*Service Department e-mail Address
 customerservice@wolfappliance.com*

*Office Hours:
 7:00 AM to 7:00 PM Central Time
 Monday through Friday*

TABLE OF CONTENTS

	Page #
<i>Model 700TC/I-2 Door and Drawer</i>	<i>2</i>
<i>Model 700TC/I-2 Cosmetic</i>	<i>4</i>
<i>Model 700TC/I-2 Mechanical</i>	<i>6</i>
<i>Model 700TC/I-2 Sealed System.....</i>	<i>8</i>
<i>Model 700TR-2 Door and Drawer</i>	<i>10</i>
<i>Model 700TR-2 Cosmetic</i>	<i>12</i>
<i>Model 700TR-2 Mechanical</i>	<i>14</i>
<i>Model 700TR-2 Sealed System</i>	<i>16</i>
<i>Model 700TF/I-2 & 700TF/I-2V Door / Drawer</i>	<i>18</i>
<i>Model 700TF/I-2 & 700TF/I-2V Cosmetic</i>	<i>20</i>
<i>Model 700TF/I-2 & 700TF/I-2V Mechanical</i>	<i>22</i>
<i>Model 700TF/I-2 & 700TF/I-2V Sealed System</i>	<i>24</i>
<i>Model 700BR-2 Drawer</i>	<i>26</i>
<i>Model 700BR-2 Cosmetic</i>	<i>28</i>
<i>Model 700BR-2 Mechanical</i>	<i>30</i>
<i>Model 700BR-2 Sealed System.....</i>	<i>32</i>
<i>Model 700BF/I-2 Drawer</i>	<i>34</i>
<i>Model 700BF/I-2 Cosmetic</i>	<i>36</i>
<i>Model 700BF/I-2 Mechanical</i>	<i>38</i>
<i>Model 700BF/I-2 Sealed System</i>	<i>40</i>
<i>Modular Icemaker Parts List</i>	<i>42</i>

This manual is designed to be used by Authorized Service Personnel only. Sub-Zero Freezer Co., Inc. assumes no responsibility for any repairs made on Sub-Zero refrigeration units by anyone other than Authorized Service Technicians.

Information and images contained in this manual are the copyright property of Sub-Zero Freezer Company, Inc. Neither this manual nor any information or images contained herein may be copied or used in whole or in part without the express written consent of Sub-Zero Freezer Company, Inc.

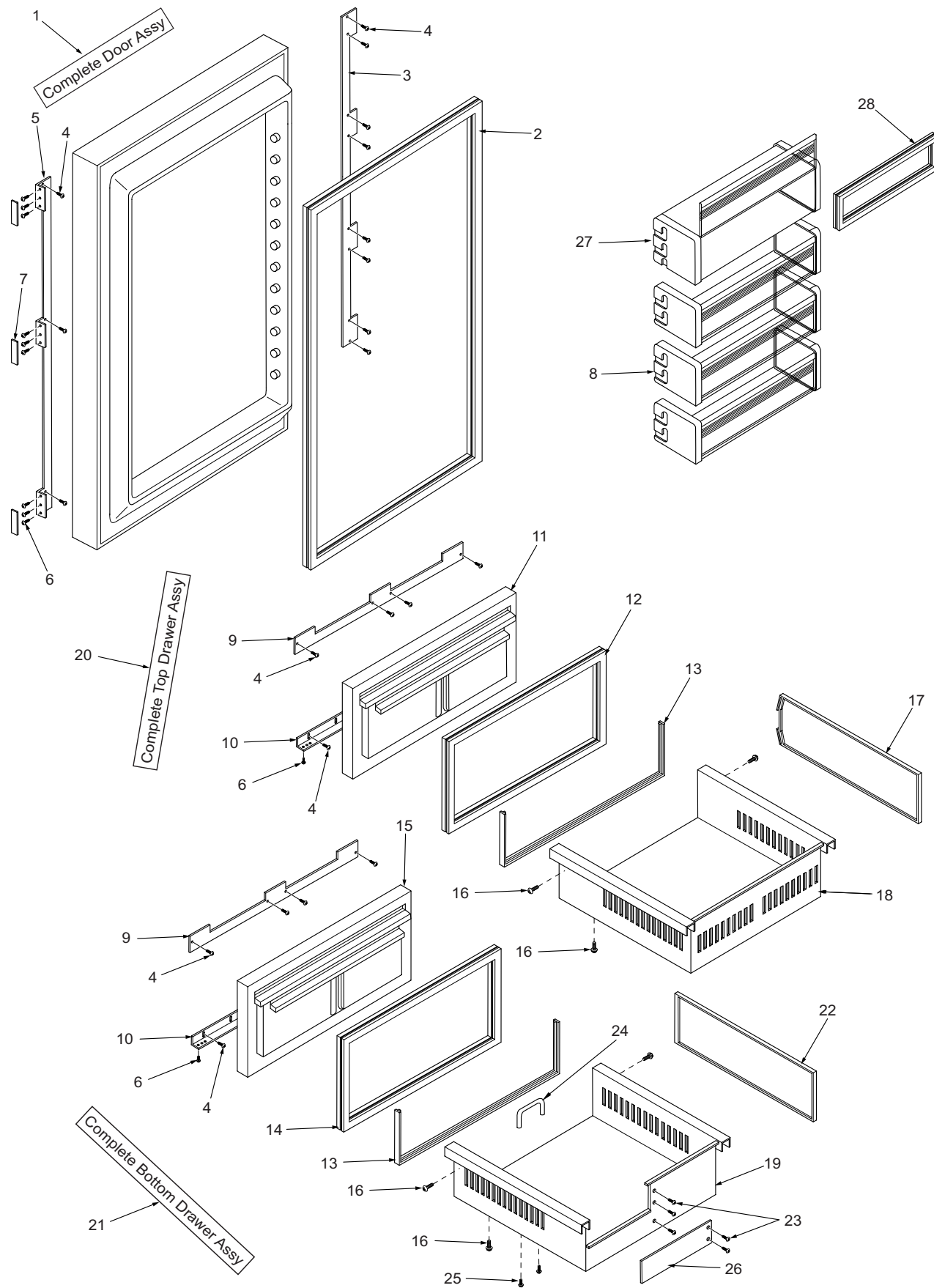
© Sub-Zero Freezer Company, Inc, all rights reserved.

700TC/I-2 DOOR & DRAWER VIEW PARTS LIST

<u>Ref #</u>	<u>Part #</u>	<u>Description</u>
1	4202011	Door Assy, RH (<i>Hinges not include</i>)
	4202012	Door Assy, LH (<i>Hinges not include</i>)
2	3211510	Door Gasket
3	0183610	Door Panel Brkt-Handle Side
4	6200720	Screw, #8-18 x 1/2 PH Truss HD
5	0183600	Door Panel Brkt-Hinge Side
6	6201500	Screw, #10X3/4 Drill PH Hex Was
7	3421490	Panel Bracket Cover
8	4181270	Door Shelf Assembly
9	0183580	Drawer Panel Bracket-Upper
10	0183590	Drawer Panel Bracket-Lower
11	4131720	Upper Drawer Front Assembly
12	3211520	Upper Drawer Gasket
13	3211560	Seal, Tub White 37-5/8"
14	3211540	Lower Drawer Gasket
15	4131750	Lower Drawer Front Assy
16	6200110	Screw, #10-12 x 5/8" Truss SS
17	3414020	Divider, Top Drawer
18	3414000	Tub, Upr Drawer
19	3414010	Tub, Lwr Drawer
20	4134410	Drawer Assy, Top
21	4134420	Drawer Assy, Bottom w/IM
22	3414030	Divider, Bottom Drawer
23	6200710	Screw, #8-18 x 3/8" Fillister HD
24	3511040	3" Wire Pull (with IM only)
25	6200080	Screw, #8-15 x 1/2" Truss HD (with IM only)
	3550400	Hole Plug (w/o IM only)
26	3412420	Filler Plate, Drawer Tub Lower (w/o IM only)
27	4181260	Dairy Compartment Assembly (Includes Seal)
28	3211550	Diary Compartment Seal

NOTE: Door/Drawer panels on this model are a sales accessory. For part numbers of complete door panel sets or components of the door panel sets, contact the factory.

700TC/I-2 DOOR & DRAWER VIEW



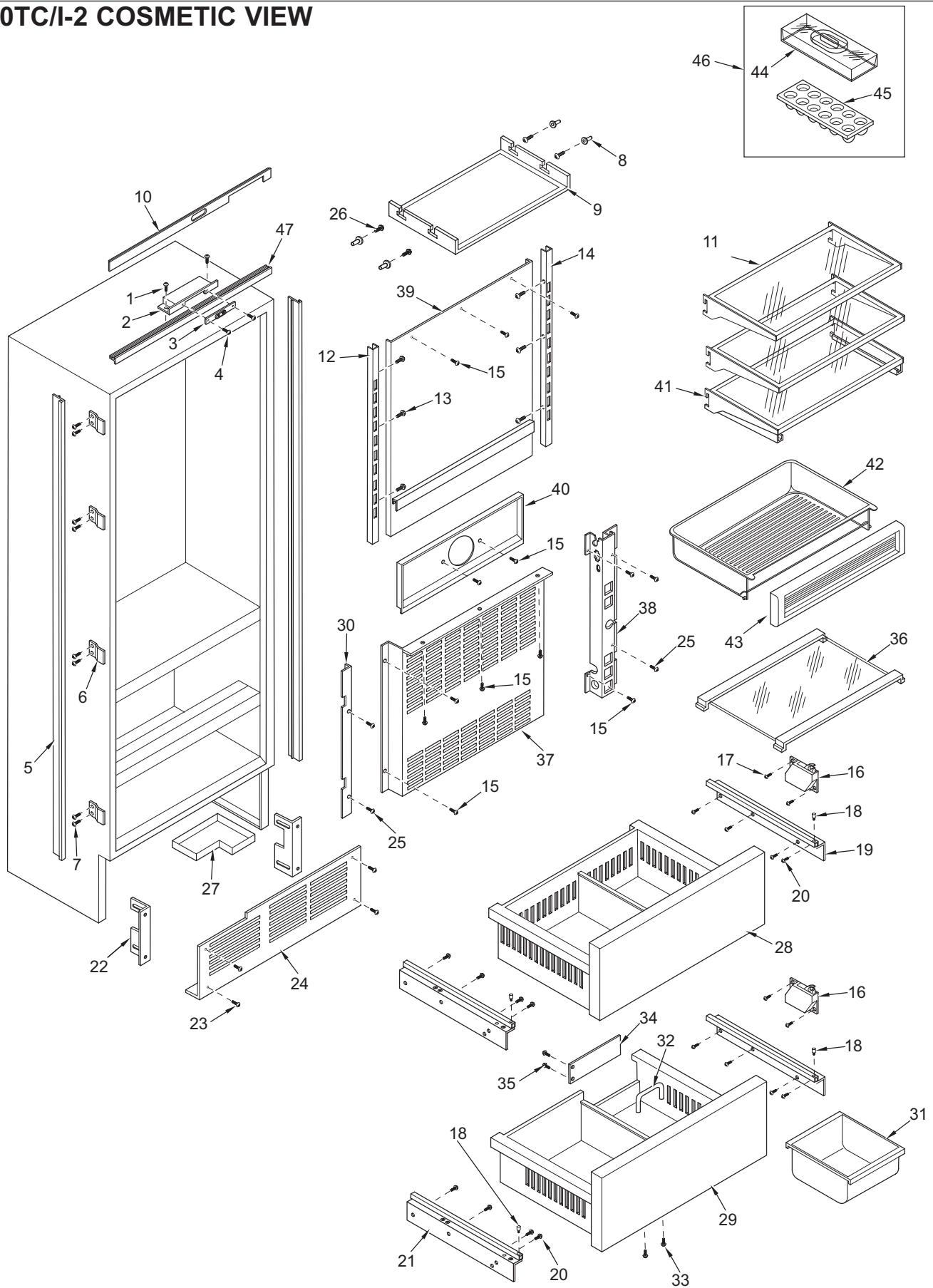
700TC/I-2 COSMETIC VIEW PARTS LIST

<u>Ref #</u>	<u>Part #</u>	<u>Description</u>	<u>Ref #</u>	<u>Part #</u>	<u>Description</u>
1	6200010	Screw, #10-12 x 3/4" Pan HD	24	3530430	Kickplate/Grille
2	0212470	Box, Ref Switch	25	6201120	Screw, #8-18 x 1.75 Truss SS
3	3450920	Bracket, Switch Mounting	26	6201330	Screw, #8 PH-Pan Head 1"
4	6200210	Screw, #8-32 x 1/2" Flat Head	27	0168880	Pan, Drain
5	3516010	Molding, Side	28	4134410	Drawer Assy, Top
6	3421510	Bracket, Unit to Cabinet	29	4134420	Drawer Assy, Bottom w/IM
7	6200720	Screw, Tap, #8 x 1/2" PH FL HD	30	0234680	Cover, Heat Exchanger
8	3520420	Insert / Diffuser Stand-off	31	3412080	Ice Bucket
9	4161140	Light Diffuser Assy	32	3511040	3" Wire Pull (with IM only)
10	3516451	Molding, Top RH	33	6200080	Screw, #8-15 x 1/2" (with IM only)
	3516452	Molding, Top LH		3550400	Hole Plug (w/o IM only)
11	3602320	Shelf, Glass Cantilever	34	3412420	Filler Plate, Drawer (w/o IM only)
12	3602270	Shelf Ladder, Left	35	6200710	Screw, #8-18 x 3/8" Fillister HD
13	6200710	Screw, #8-18 x 3/8" Fillister HD	36	4181330	Lower Glass Tray
14	3602280	Shelf Ladder, Right	37	4161190	Cold Plate Assy, Fre
15	6201270	Screw, #8-18 x 5/8" PH PN SS-Gnd	38	0260350	Enclosure, Switch
16	3541020	Drawer Closer	39	4281110	Cold Plate Assy
17	6200110	Screw, #10-12 x 5/8" Truss SS	40	4281300	Plate Assy, Fre Orifice
18	3550720	White Thread Pin	41	4181291	Shelf Assy, Deli-RH
19	4134430	Drawer Assy, Slide-RH		4181292	Shelf Assy, Deli-LH
20	6201140	Screw, 1/4-20 x 1/2" Sems But HD	42	3412090	Tray, Deli - 4"
21	4134440	Drawer Assy, Slide-LH		4181300	Tray Assy, Deli - 4" (Complete)
22	0167661	Kickplate Bracket - RS	43	3412100	Front, Deli - 4"
	0167662	Kickplate Bracket - LS	44	3412280	Egg Tray Cover
	6200780	Screw, #10-24 x 1/2" PH Hex Wash	45	3412270	Egg Tray
23	6200050	Screw, #10-12 x 1/2" Pan HD	46	4131810	Egg Tray with Cover
			47	4152070	Trim Assy, Top

NOT PICTURED

3580170	Nameplate
3754220	Door Panel Drilling Template
3421460	Bracket, Unit to Unit

700TC/I-2 COSMETIC VIEW





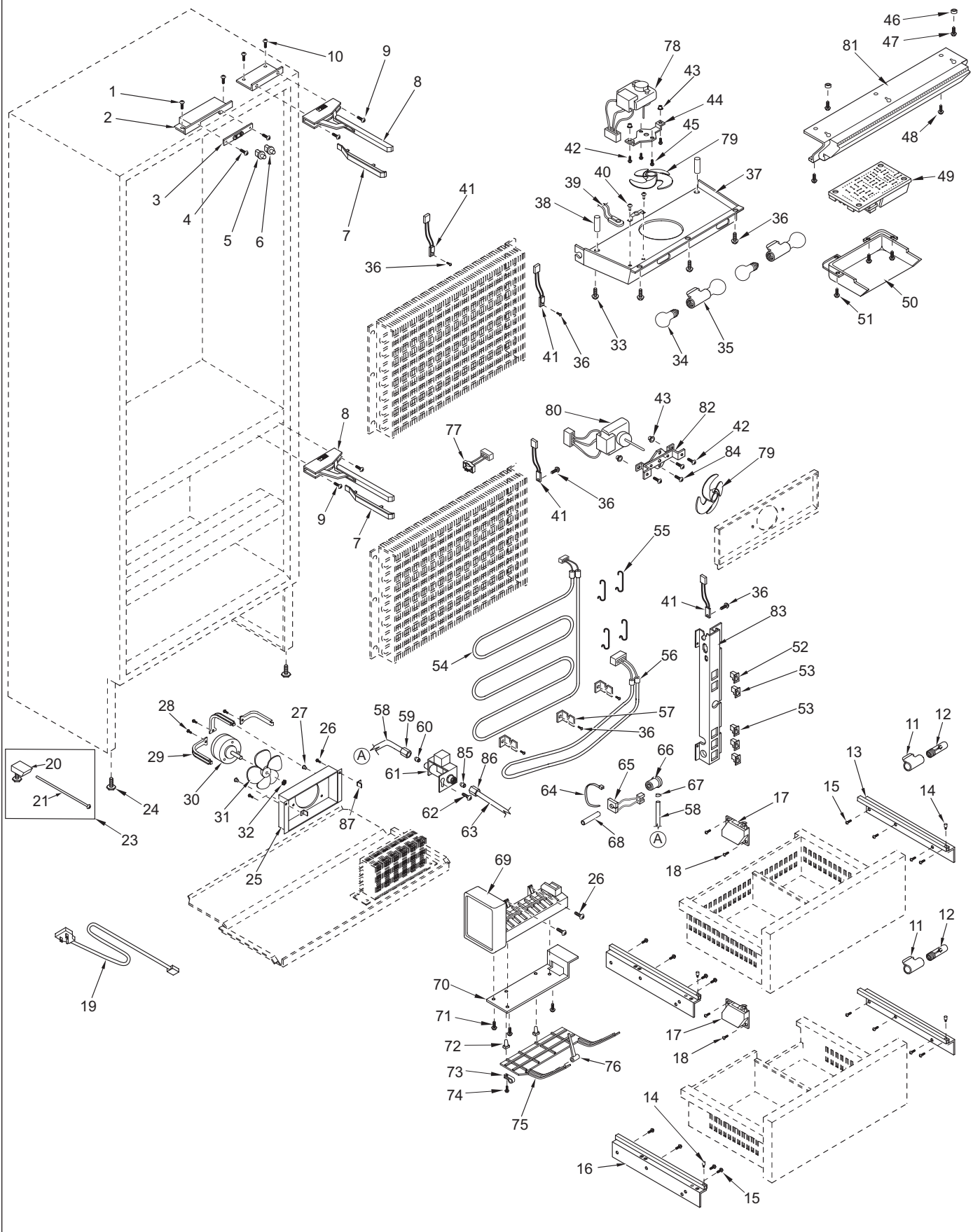
700TC/I-2 MECHANICAL VIEW PARTS LIST

Ref #	Part #	Description	Ref #	Part #	Description
1	6200010	Screw, #10-12 x 3/4" Pan HD	44	0260370	Bracket, Fan
2	0212470	Box, Ref Switch	45	6110270	Bolt, #10-32 x 1/4" RD HD
3	3450920	Bracket, Switch Mounting	46	6160240	Nylon Spacer
4	6200210	Screw, #8-32 x 1/2" Flat Head	47	6200720	Screw, Tap, #8 x 1/2" PH FL HD
5	3060030	Light Switch, N/C	48	6201270	Screw, #8-18 x 5/8" PH PN SS-Gnd
6	3060020	Fan Switch, N/O	49	4203320	Pckg, Cntrl Board (See SN Breaks)
7	3541050	Hinge Cover		4203520	Pckg, Cntrl Board (See SN Breaks)
8	3541031	Hinge Assy, TOP - RH		4324860	Wire Hrns,Cntrl Brd (See SN Breaks)
	3541032	Hinge Assy, TOP - LH	50	4152050	Cover Assy, Control
	3541041	Hinge Assy, MDL - RH	51	6201270	Screw, #8-18 x 5/8" PH PN SS-Gnd
	3541042	Hinge Assy, MDL - LH	52	3060140	SPST Light Switch
9	6201140	Screw, 1/4-20 x 1/2" Sems But HD	53	3060130	SPST Fan/Icemaker Switch
10	6200780	Screw, #10-24 x 1/2" PH Hex Wash	54	4324890	Heater Assy, Defrost
11	3050010	Light Sckt,3/4 Sngl (See SN Breaks)	55	1801100	Heater Clip
	3050220	Skt,Light Int Base Sngl(See SN Breaks)	56	3070150	Heater, Drain Trough
12	3030060	Light Bulb, 25 Watt	57	0234620	Bracket, Heater
13	4134430	Drawer Assy, Slide-RH	58	2600617	Plastic Water Line
14	3550720	White Thread Pin	59	3520030	Icemaker Nylon Nut, 1/4"
15	6201140	Screw, 1/4-20 x 1/2" Sems But HD	60	3520050	Brass Insert, Solenoid
16	4134440	Drawer Assy, Slide-LH	61	4202790	Water Valve
17	3541020	Drawer Closer	62	6200780	Screw, #10-24 x 1/2" PH Hex Wash
18	6200110	Screw, #10-12 x 5/8" Truss SS	63	2604194	Tube, Water Line
19	4324800	Retractor Assy, Power Cord	64	6120450	Locking Cable Tie 9.7" BLK
20	NA	See 4202000	65	3013820	Fill Tube Heater
21	3421500	Adjusting Rod	66	1607600	Water Inlet Tube
22	NA	NA	67	6220470	Fill Tube Clamp
23	4202000	Rear Leveler Assembly	68	2605405	Fill Tube Extension
24	3570060	Bolt, Leveler 3/8-16	69	4200520	Modular Icemaker
25	4281310	Shroud Assy, Cond Fan	70	0167700	Bracket, Icemaker
	3220370	Grommet, 1/4" X 3/16" (Not Shown)		6120360	Snap-in Wire Clip (Not Shown)
26	6200010	Screw, #10-12 x 3/4" Pan HD	71	6201000	Screw #8-32X3/8 Thread Forming
27	3220360	Grommet, Mtg Brkt	72	6220220	Screw Grommet, 1/32 x 3/8" SQ
28	6201000	Screw #8-32X3/8 Thread Forming	73	6120280	Clamp, Tube Nylon 3/16"
29	0167430	Cond Fan Mtg Brkt (3 Required)	74	6200140	Screw, #8-15 x 3/8" Truss HD
30	4200740	Motor Pkg, Cond Fan	75	3140300	Icemaker Control Arm
31	3150320	Fan Blade, Cond -5 prop, 7"	76	3421070	Rod, Connecting
32	6150410	Nut, 1/4-20	77	3082090	Defrost Terminator
33	6201010	Screw, #8-15 x 2" Pan Head	78	4203330	Fan Package, Service
34	3030030	Light Bulb, 40 Watt	79	3150640	Fan blade, Evaporator
35	3050180	Light Socket, Dbl (See SN Breaks)	80	4200160	Fre Fan Motor (Brkt Included)
	3050250	Skt, Light M Bas Dbl(See SN Breaks)	81	4162590	Control Panel Assy
36	6201270	Screw, #8-18 x 5/8" PH PN SS-Gnd	82	4220550	Assy, Fan Brkt
37	4230540	Shroud Assy, Ref Fan	83	0260350	Enclosure, Switch
38	6220540	Screw Grommet/Stand-off, 1.375		4161150	Switch Enclosure Assy (700TCI-2)
39	3082140	Light Terminator		4161760	Switch Enclosure Assy (700TC-2)
40	6180010	Pop Rivet, 1/8"	84	6110270	Bolt, #10-32 x 1/4" RD HD
41	3014350	Thermistor	85	3520370	Compression Sleeve
42	6201470	Screw, #8-32X3/4 SS	86	3520380	Compression Nut
43	6150850	Wellnut, #8-32	87	3450290	Angle Bracket

NOT PICTURED

0167550 Anti-Tip Bracket

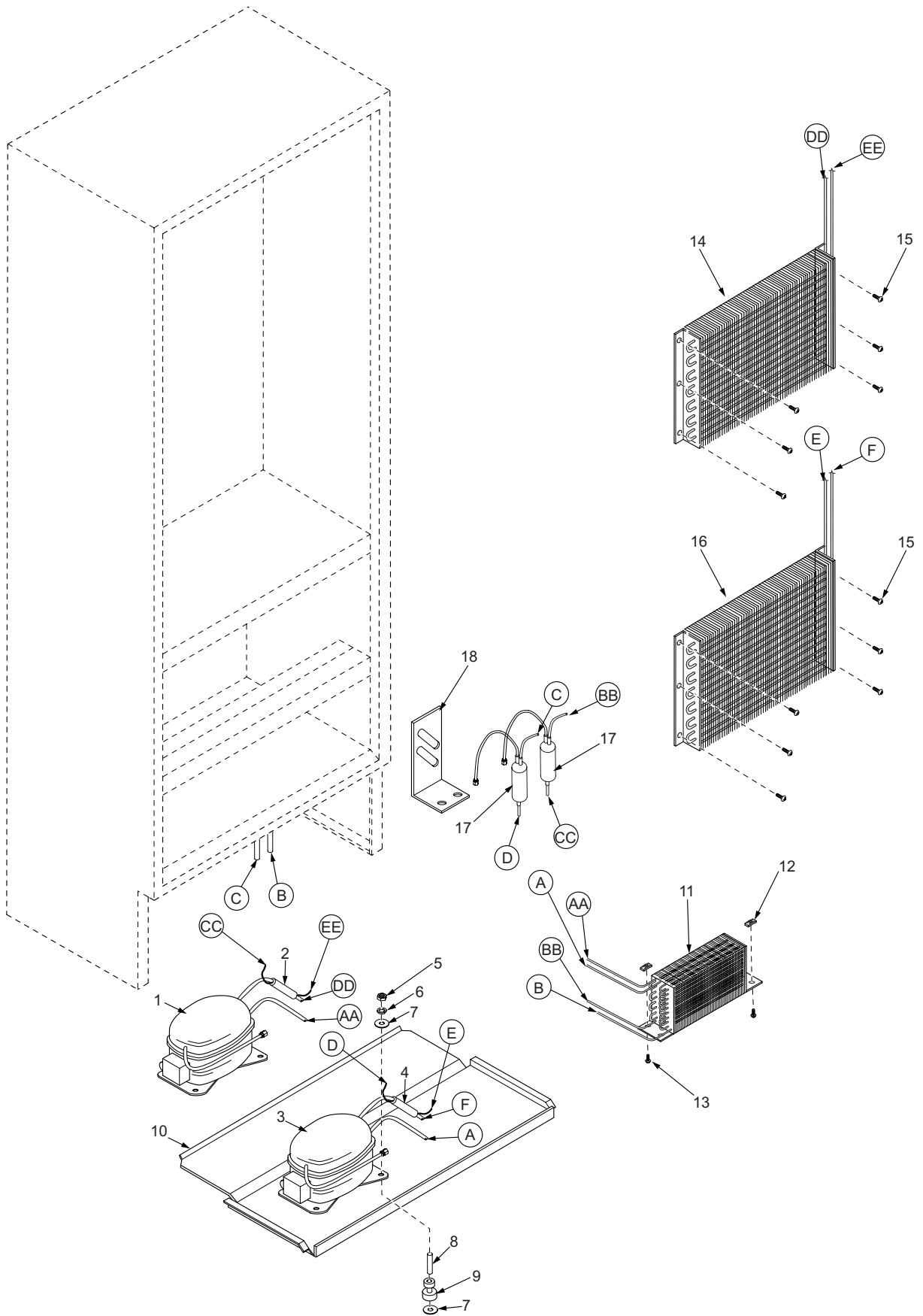
700TC/I-2 MECHANICAL VIEW



700TC/I-2 SEALED SYSTEM VIEW PARTS LIST

<u>Ref #</u>	<u>Part #</u>	<u>Description</u>
1	4201880	Service Comp, Refrig. (EMI30HER)
	3111370	Relay (For EMI30HER Comp)
	3111410	Overload (For EMI30HER Comp)
	3111212	Relay (For EMT30HSC Comp)
	3111600	Overload (For EMT30HSC Comp)
	3111070	Capacitor (For EMT30HSC Comp)
	4323520	Wire Harness, Run Capacitor
	0167620	Capacitor Mount Bracket
2	4251520	Heat Exchanger, Ref
3	4201860	Service Comp (FGS70)
	3111350	Relay (For FGS70 Comp)
	3111380	Overload (For FGS70 Comp)
	3111270	Capacitor (For FGS70 Comp)
	3111212	Relay (For EGU70HLC Comp)
	3111610	Overload (For EGU70HLC Comp)
	3111270	Capacitor (For EGU70HLC Comp)
	4323520	Wire Harness, Run Capacitor
	0167620	Capacitor Mount Bracket
4	4251510	Heat Exchanger, Fre
5	6150220	Nut, 5/16-18 Hex Zinc
6	6240090	Lock Washer, 5/16"
7	6240050	Flat Washer, 5/16"
8	6160070	Sleeve, 5/16 x 7/16 x 7/8"
9	3150170	Rubber Grommet, Large, 15/16"
10	4311110	Unit Tray Assembly
11	3120340	Condenser
12	6150080	Nut-Flat, #10-24
13	6110020	Bolt, #10-24 x 3/8" Truss HD
14	3130550	Evaporator, Ref
15	6201270	Screw, #8-18 x 5/8" PH PN SS-Gnd
16	3130540	Evaporator, Freezer
17	3014230	Filter-Drier, High Side
18	0260340	Bracket, Drier

700TC/I-2 SEALED SYSTEM VIEW

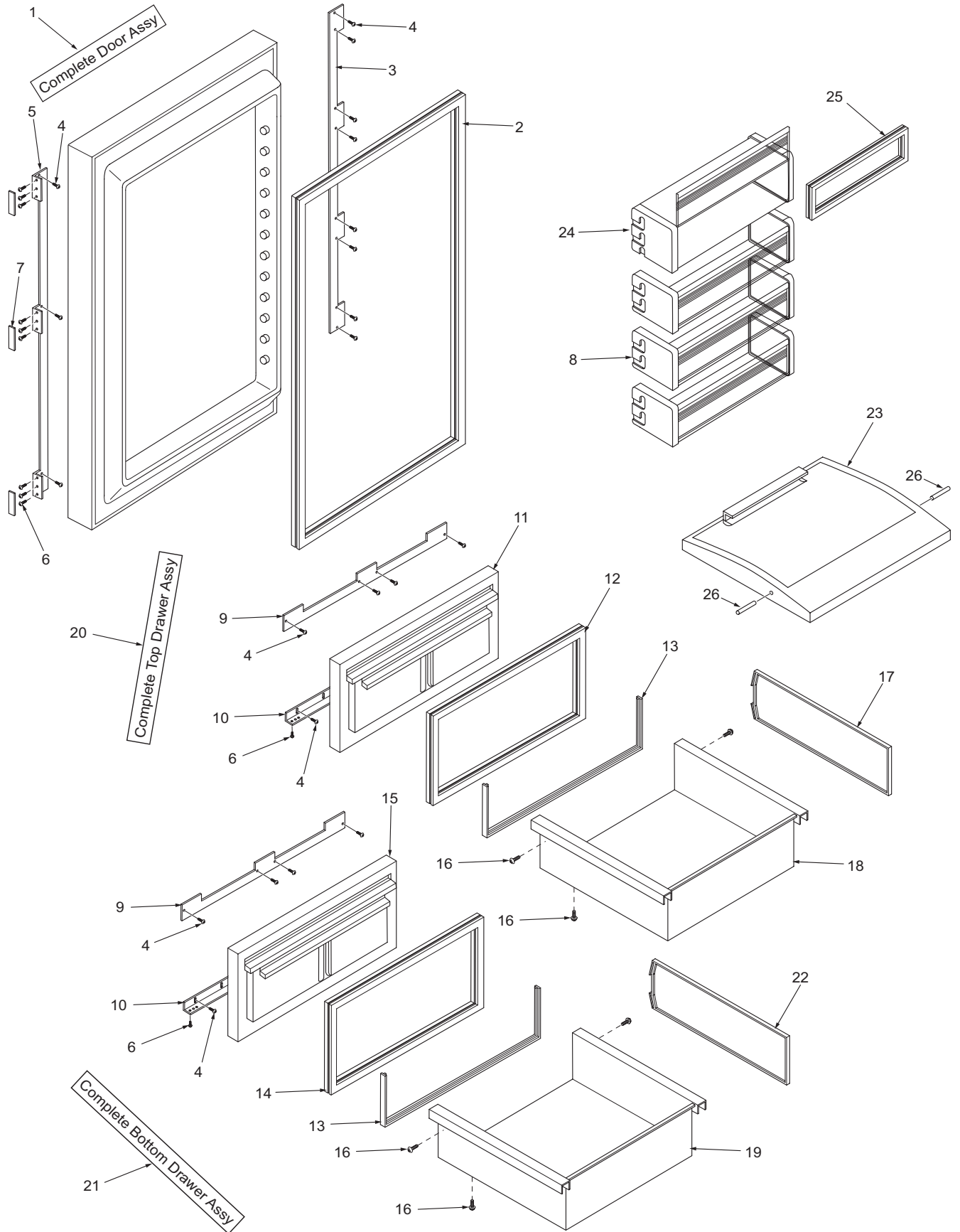


700TR-2 DOOR & DRAWER VIEW PARTS LIST

<u>Ref #</u>	<u>Part #</u>	<u>Description</u>
1	4202011	Door Assy, RH (<i>Hinges not include</i>)
	4202012	Door Assy, LH (<i>Hinges not include</i>)
2	3211510	Door Gasket
3	0183610	Door Panel Brkt-Handle Side
4	6200720	Screw, #8-18 x 1/2 PH Truss HD
5	0183600	Door Panel Brkt-Hinge Side
6	6201500	Screw, #10X3/4 Drill PH Hex Was
7	3421490	Panel Bracket Cover
8	4181270	Door Shelf Assembly
9	0183580	Drawer Panel Bracket-Upper
10	0183590	Drawer Panel Bracket-Lower
11	4131710	Upper Drawer Front Assembly
12	3211520	Upper Drawer Gasket
13	3211560	Seal, Tub White 37-5/8"
14	3211540	Lower Drawer Gasket
15	4131740	Lower Drawer Front Assy
16	6200110	Screw, #10-12 x 5/8" Truss SS
17	3601340	Upper Drawer Divider
18	3414060	Tub, Upr Drawer
19	3414070	Tub, Lwr Drawer
20	4134450	Drawer Assy, Top
21	4134460	Drawer Assy, Bot
22	3601350	Lower Drawer Divider
23	3470320	Crisper Lid Assembly
24	4181260	Dairy Compartment Assembly (Includes Seal)
25	3211550	Diary Compartment Seal
26	3412240	Pin, Crisper (2)

NOTE: *Door/Drawer panels on this model are a sales accessory. For part numbers of complete door panel sets or components of the door panel sets, contact the factory.*

700TR-2 DOOR & DRAWER VIEW



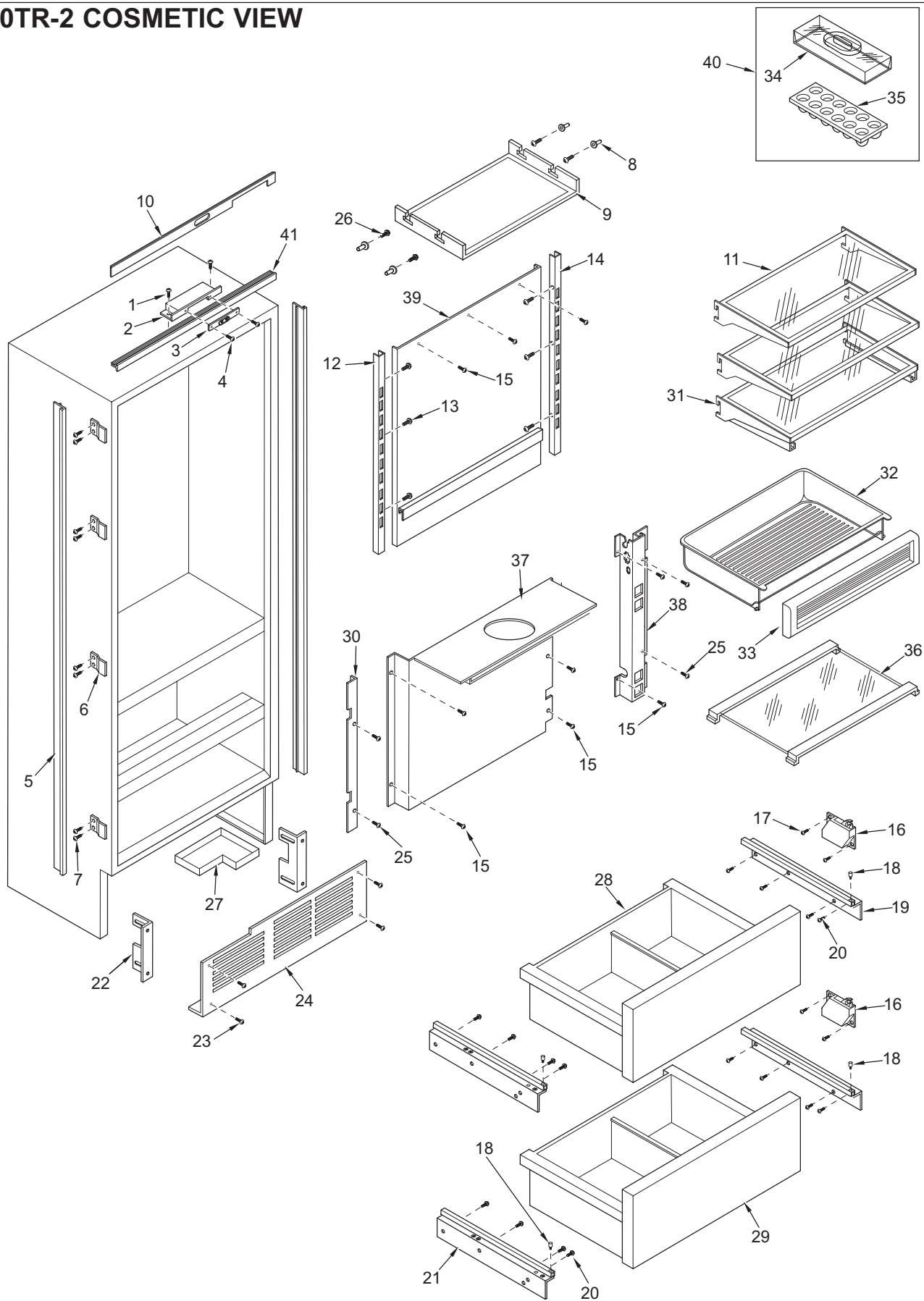
700TR-2 COSMETIC VIEW PARTS LIST

<u>Ref #</u>	<u>Part #</u>	<u>Description</u>	<u>Ref #</u>	<u>Part #</u>	<u>Description</u>
1	6200010	Screw, #10-12 x 3/4" Pan HD	22	0167661	Kickplate Bracket - RS
2	0212470	Box, Ref Switch		0167662	Kickplate Bracket - LS
3	3450920	Bracket, Switch Mounting		6200780	Screw, #10-24 x 1/2" PH Hex Wash
4	6200210	Screw, #8-32 x 1/2" Flat Head	23	6200050	Screw, #10-12 x 1/2" Pan HD
5	3516010	Molding, Side	24	3530430	Kickplate/Grille
6	3421510	Bracket, Unit to Cabinet	25	6201120	Screw, #8-18 x 1.75 Truss SS
7	6200720	Screw, Tap, #8 x 1/2" PH FL HD	26	6201330	Screw, #8 PH-Pan Head 1"
8	3520420	Insert / Diffuser Stand-off	27	0168880	Pan, Drain
9	4161140	Light Diffuser Assy	28	4134450	Drawer Assy, Top
10	3516451	Molding, Top RH	29	4134460	Drawer Assy, Bot
	3516452	Molding, Top LH	30	0234680	Cover, Heat Exchanger
11	3602320	Shelf, Glass Cantilever	31	4181291	Shelf Assy, Deli-RH
12	3602270	Shelf Ladder, Left		4181292	Shelf Assy, Deli-LH
13	6200710	Screw, #8-18 x 3/8" Fillister HD	32	3412090	Tray, Deli - 4"
14	3602280	Shelf Ladder, Right		4181300	Tray Assy, Deli - 4" (Complete)
15	6201270	Screw, #8-18 x 5/8" PH PN SS-Gnd	33	3412100	Front, Deli - 4"
16	3541020	Drawer Closer	34	3412280	Egg Tray Cover
17	6200110	Screw, #10-12 x 5/8" Truss SS	35	3412270	Egg Tray
18	3550720	White Thread Pin	36	4181320	Lower Glass Tray
19	4134430	Drawer Assy, Slide-RH	37	4281120	Cold Plate Assy, Lwr Ref (Fan Incl.)
20	6201140	Screw, 1/4-20 x 1/2" Sems But HD	38	0212480	Enclosure, Switch
21	4134440	Drawer Assy, Slide-LH	39	4281110	Cold Plate Assy
			40	4131810	Egg Tray with Cover
			41	4152070	Trim Assy, Top

NOT PICTURED

3580170	Nameplate
3754220	Door Panel Drilling Template
3421460	Bracket-Unit to Unit

700TR-2 COSMETIC VIEW



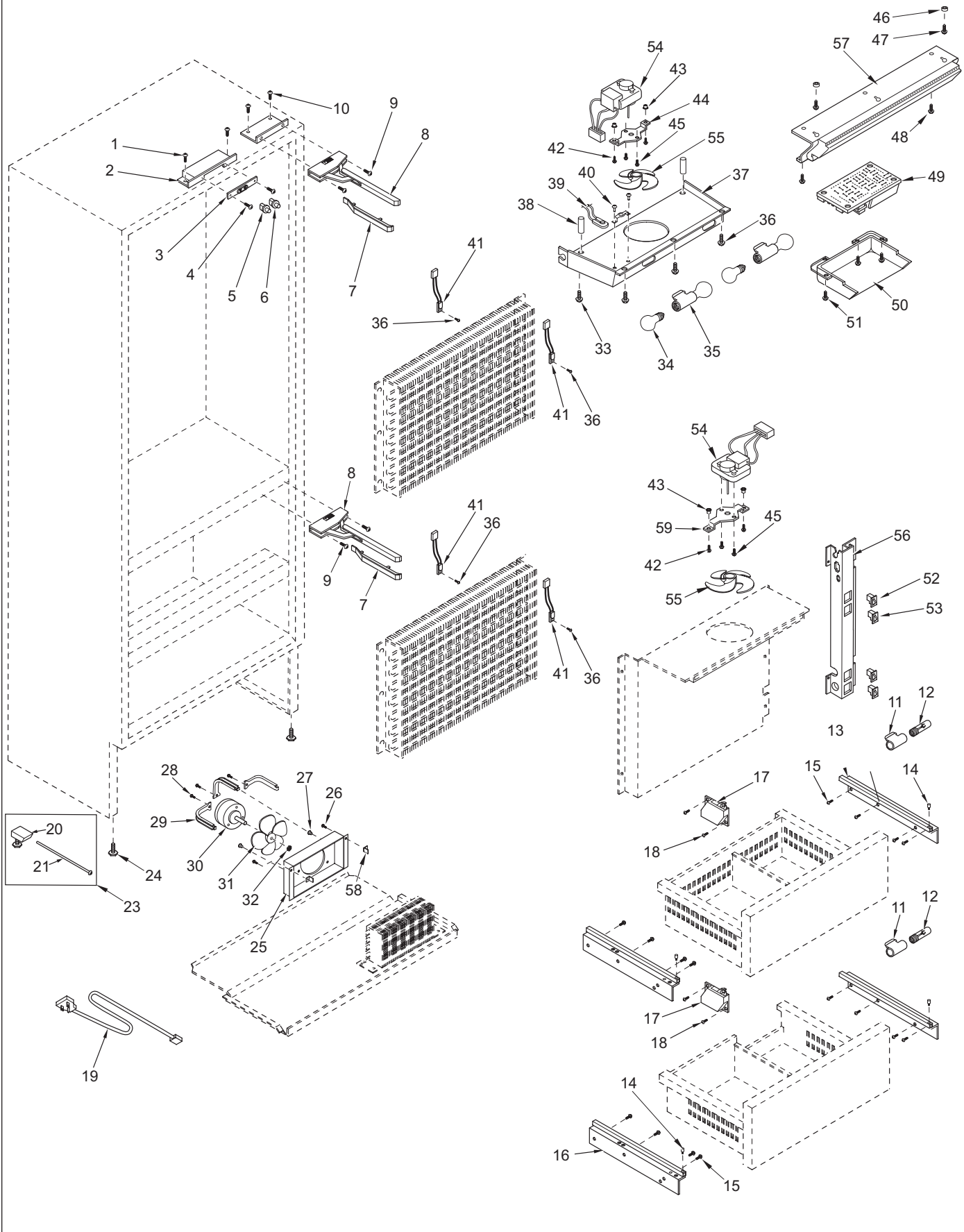
700TR-2 MECHANICAL VIEW PARTS LIST

<u>Ref #</u>	<u>Part #</u>	<u>Description</u>	<u>Ref #</u>	<u>Part #</u>	<u>Description</u>
1	6200010	Screw, #10-12 x 3/4" Pan HD	30	4200740	Motor Pkg, Cond Fan
2	0212470	Box, Ref Switch	31	3150320	Fan Blade, Cond -5 prop, 7"
3	3450920	Bracket, Switch Mounting	32	6150410	Nut, 1/4-20
4	6200210	Screw, #8-32 x 1/2" Flat Head	33	6201010	Screw, #8-15 x 2" Pan Head
5	3060030	Light Switch, N/C	34	3030030	Light Bulb, 40 Watt
6	3060020	Fan Switch, N/O	35	3050180	Light Socket, Dbl (See SN Breaks)
7	3541050	Hinge Cover		3050250	Skt, Light M Base Dbl (See SN Breaks)
8	3541031	Hinge Assy, TOP - RH	36	6201270	Screw, #8-18 x 5/8" PH PN SS-Gnd
	3541032	Hinge Assy, TOP - LH	37	4230540	Shroud Assy, Ref Fan
	3541041	Hinge Assy, MDL - RH	38	6220540	Screw Grommet/Stand-off, 1.375
	3541042	Hinge Assy, MDL - LH	39	3082140	Light Terminator
9	6201140	Screw, 1/4-20 x 1/2" Sems But HD	40	6180010	Pop Rivet, 1/8"
10	6200780	Screw, #10-24 x 1/2" PH Hex Wash	41	3014350	Thermistor
11	3050010	Light Sckt, 3/4 Sgl(See SN Breaks)	42	6201470	Screw, #8-32X3/4 SS
	3050220	Skt,Light Int Base Sngl(See SN Breaks)	43	6150850	Wellnut, #8-32
12	3030060	Light Bulb, 25 Watt	44	0260360	Bracket, Lower Compartment Fan
13	4134430	Drawer Assy, Slide-RH	45	6110270	Bolt, #10-32 x 1/4" RD HD
14	3550720	White Thread Pin	46	6160240	Nylon Spacer
15	6201140	Screw, 1/4-20 x 1/2" Sems But HD	47	6200720	Screw, Tap, #8 x 1/2" PH FL HD
16	4134440	Drawer Assy, Slide-LH	48	6201270	Screw, #8-18 x 5/8" PH PN SS-Gnd
17	3541020	Drawer Closer	49	4203320	Pckg, Cntrl Board (See SN Breaks)
18	6200110	Screw, #10-12 x 5/8" Truss SS		4203520	Pckg, Cntrl Board (See SN Breaks)
19	4324800	Retractor Assy, Power Cord		4324900	Wire Hrns,Ctrl Brd (See SN Breaks)
20	NA	See 4202000	50	4152050	Cover Assy, Control
21	3421500	Adjusting Rod	51	6201270	Screw, #8-18 x 5/8" PH PN SS-Gnd
22	NA	NA	52	3060140	SPST Light Switch
23	4202000	Rear Leveler Assembly	53	3060130	SPST Fan/Icemaker Switch
24	3570060	Bolt, Leveler 3/8-16	54	4203330	Fan Package, Service
25	4281310	Shroud Assy, Cond Fan	55	3150640	Fan blade, Evaporator
	3220370	Grommet, 1/4" X 3/16" (Not Shown)	56	0212480	Enclosure, Switch
26	6200010	Screw, #10-12 x 3/4" Pan HD		4161260	Switch Enclosure Assy, Lwr
27	3220360	Grommet, Mtg Brkt	57	4162600	Control Panel Assy
28	6201000	Screw #8-32X3/8 Thread Forming	58	3450290	Angle Bracket
29	0167430	Cond Fan Mtg Brkt (3 Required)	59	0260360	Bracket, Lower Compartment Fan

NOT PICTURED

0167550 Anti-Tip Bracket

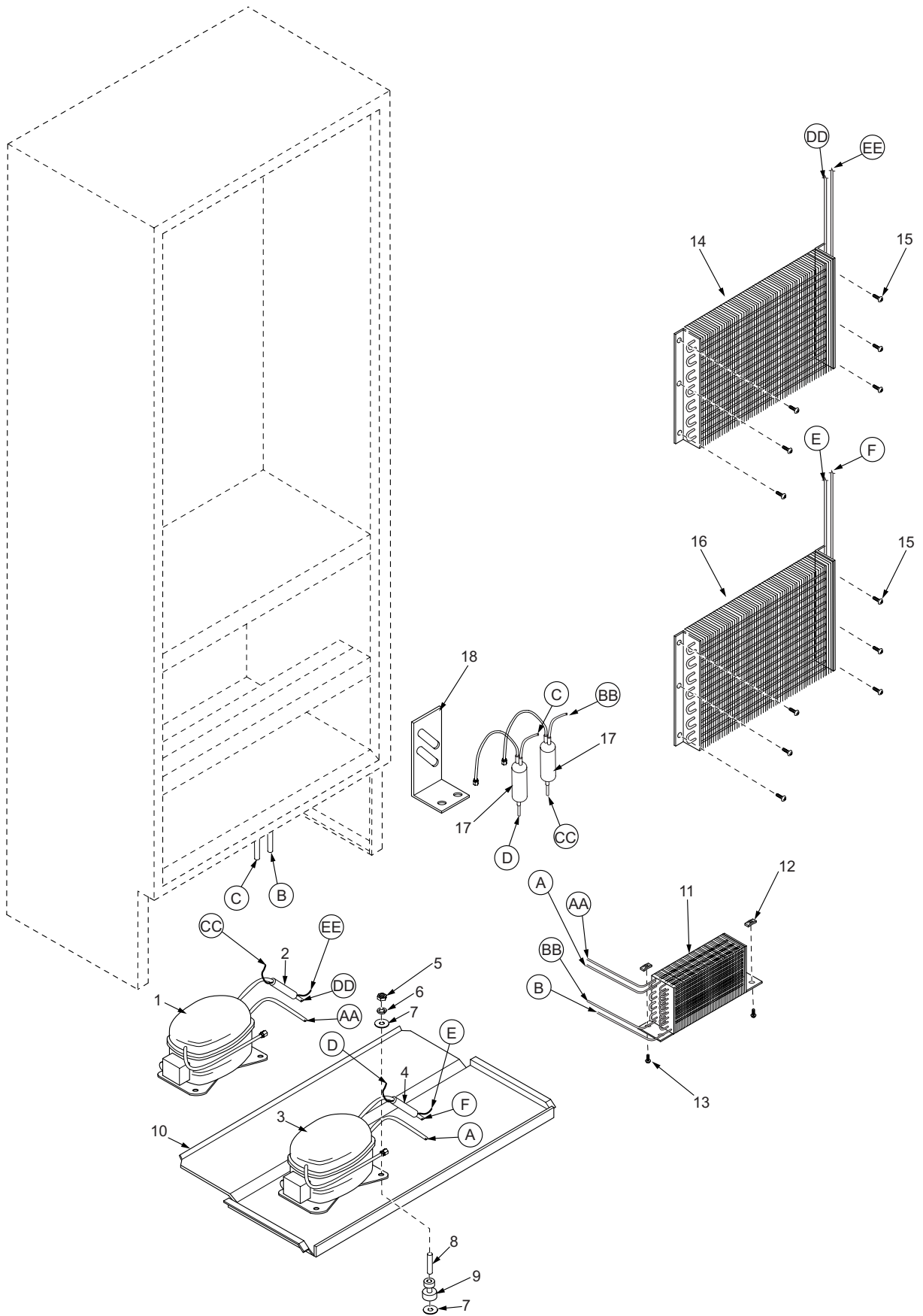
700TR-2 MECHANICAL VIEW



700TR-2 SEALED SYSTEM VIEW PARTS LIST

<u>Ref #</u>	<u>Part #</u>	<u>Description</u>
1	4201880	Service Comp, Refrig. (EMI30HER)
	3111370	Relay (For EMI30HER Comp)
	3111410	Overload (For EMI30HER Comp)
	3111212	Relay (For EMT30HSC Comp)
	3111600	Overload (For EMT30HSC Comp)
	3111070	Capacitor (For EMT30HSC Comp)
	4323520	Wire Harness, Run Capacitor
	0167620	Capacitor Mount Bracket
2	4251520	Heat Exchanger, Ref
3	4201880	Service Comp, Refrig. (EMI30HER)
	3111370	Relay (For EMI30HER Comp)
	3111410	Overload (For EMI30HER Comp)
	3111212	Relay (For EMT30HSC Comp)
	3111600	Overload (For EMT30HSC Comp)
	3111070	Capacitor (For EMT30HSC Comp)
	4323520	Wire Harness, Run Capacitor
	0167620	Capacitor Mount Bracket
4	4251540	Heat Exchanger, Ref
5	6150220	Nut, 5/16-18 Hex Zinc
6	6240090	Lock Washer, 5/16"
7	6240050	Flat Washer, 5/16"
8	6160070	Sleeve, 5/16 x 7/16 x 7/8"
9	3150170	Rubber Grommet, Large, 15/16"
10	4311110	Unit Tray Assembly
11	3120340	Condenser
12	6150080	Nut-Flat, #10-24
13	6110020	Bolt, #10-24 x 3/8" Truss HD
14	3130550	Evaporator, Ref
15	6201270	Screw, #8-18 x 5/8" PH PN SS-Gnd
16	3130560	Evaporator, Ref
17	3014230	Filter-Drier, High Side
18	0260340	Bracket, Drier

700TR-2 SEALED SYSTEM VIEW

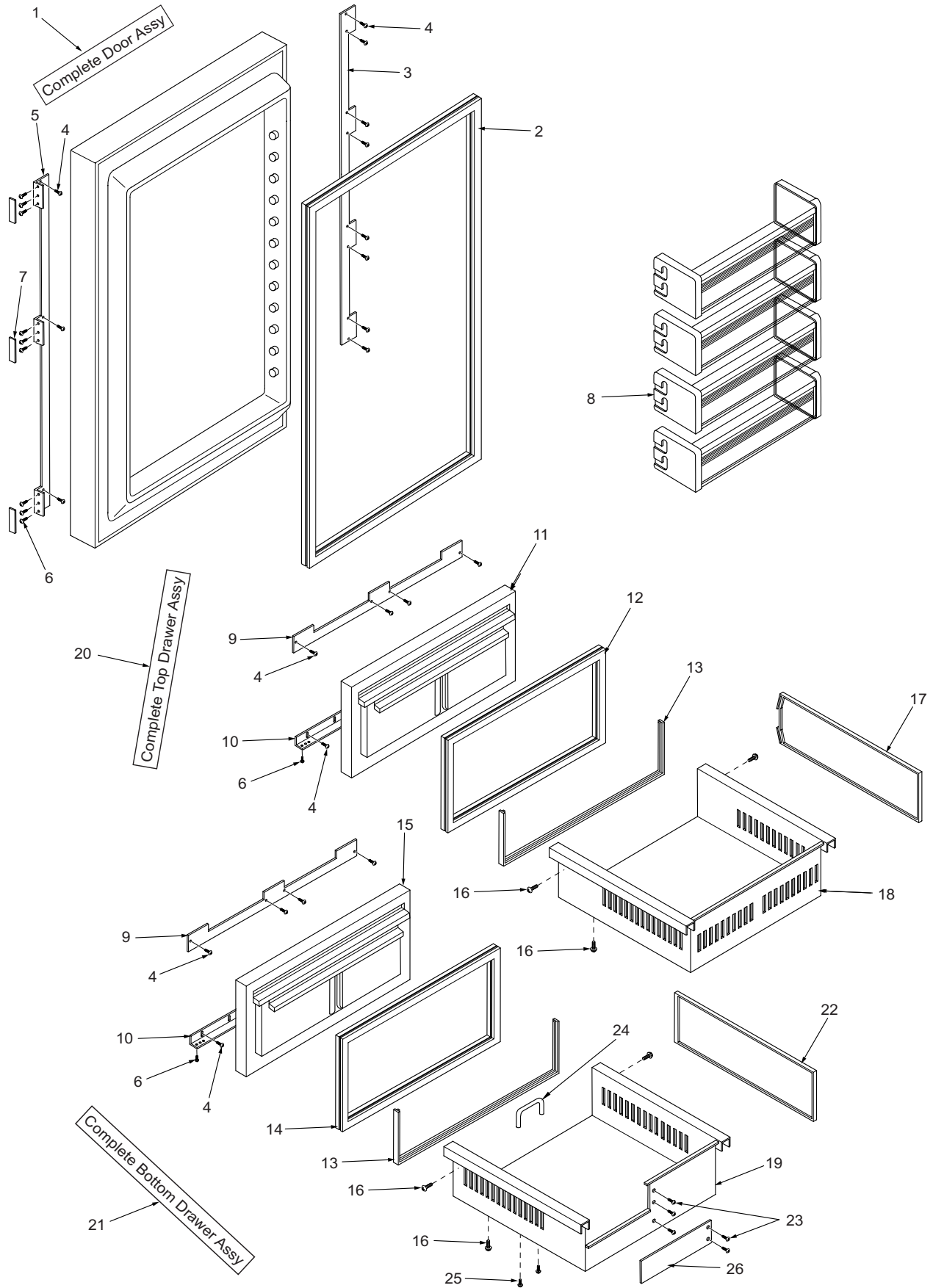


700TF/I-2 & 700TF/I-2V DOOR & DRAWER VIEW PARTS LIST

<u>Ref #</u>	<u>Part #</u>	<u>Description</u>
1	4202011	Door Assy, RH (<i>Hinges & Shelves not include</i>)
	4202012	Door Assy, LH (<i>Hinges & Shelves not include</i>)
2	3211510	Door Gasket
3	0183610	Door Panel Brkt-Handle Side
4	6200720	Screw, #8-18 x 1/2 PH Truss HD
5	0183600	Door Panel Brkt-Hinge Side
6	6201500	Screw, #10X3/4 Drill PH Hex Was
7	3421490	Panel Bracket Cover
8	4181270	Door Shelf Assembly
9	0183580	Drawer Panel Bracket-Upper
10	0183590	Drawer Panel Bracket-Lower
11	4131720	Upper Drawer Front Assembly
12	3211520	Upper Drawer Gasket
13	3211560	Seal, Tub White 37-5/8"
14	3211540	Lower Drawer Gasket
15	4131750	Lower Drawer Front Assy
16	6200110	Screw, #10-12 x 5/8" Truss SS
17	3414020	Divider, Top Drawer
18	3414000	Tub, Upr Drawer
19	3414010	Tub, Lwr Drawer
20	4134410	Drawer Assy, Top
21	4134420	Drawer Assy, Bottom w/IM
22	3414030	Divider, Bottom Drawer
23	6200710	Screw, #8-18 x 3/8" Fillister HD
24	3511040	3" Wire Pull (with IM only)
25	6200080	Screw, #8-15 x 1/2" Truss HD (with IM only)
	3550400	Hole Plug (w/o IM only)
26	3412420	Filler Plate, Drawer Tub Lower (w/o IM only)

NOTE: *Door/Drawer panels on this model are a sales accessory. For part numbers of complete door panel sets or components of the door panel sets, contact the factory.*

700TF/I-2 & 700TF/I-2V DOOR & DRAWER VIEW



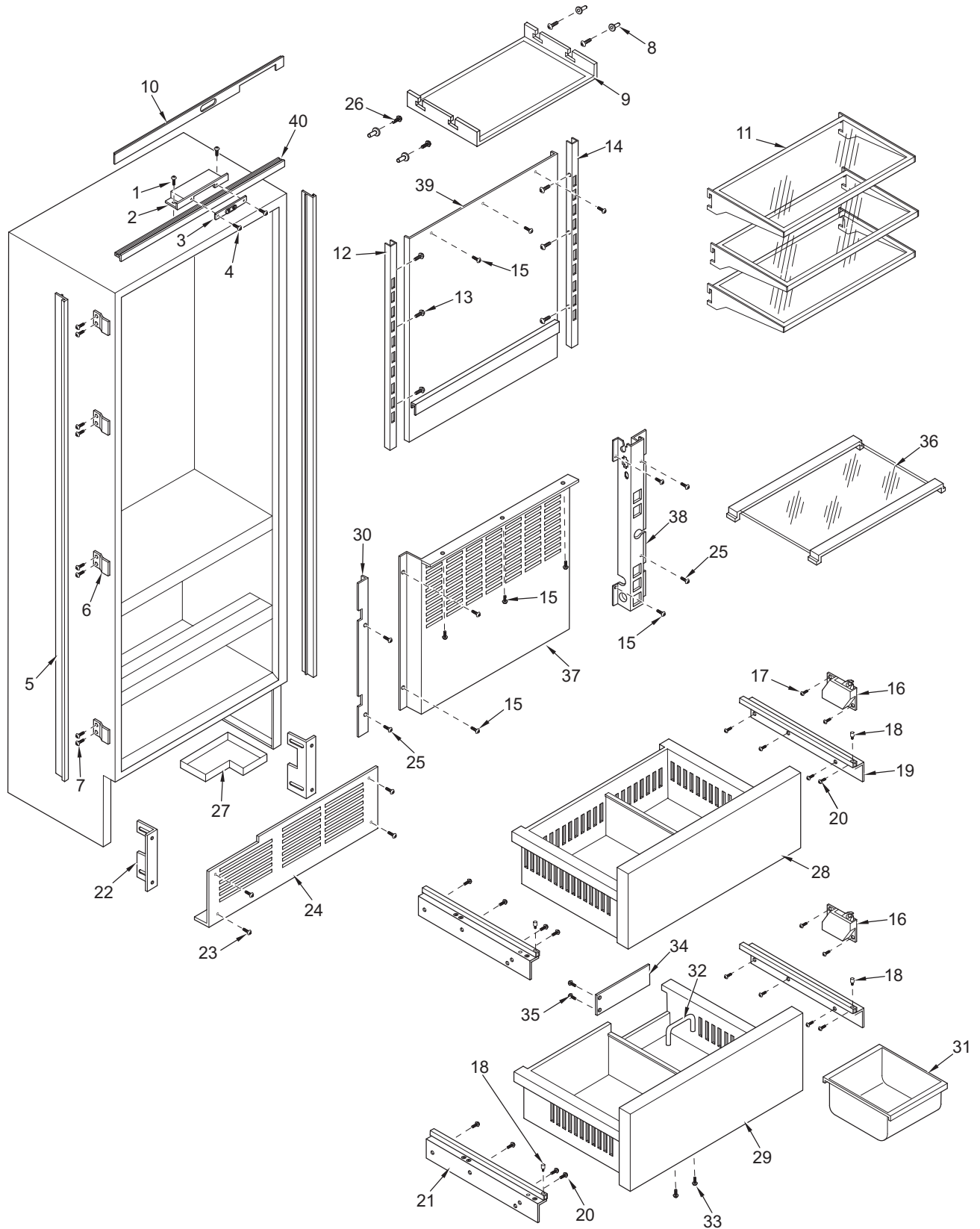
700TF/I-2 & 700TF/I-2V COSMETIC VIEW PARTS LIST

<u>Ref #</u>	<u>Part #</u>	<u>Description</u>	<u>Ref #</u>	<u>Part #</u>	<u>Description</u>
1	6200010	Screw, #10-12 x 3/4" Pan HD	22	0167661	Kickplate Bracket - RS
2	0212470	Box, Ref Switch		0167662	Kickplate Bracket - LS
3	3450920	Bracket, Switch Mounting		6200780	Screw, #10-24 x 1/2" PH Hex Wash
4	6200210	Screw, #8-32 x 1/2" Flat Head	23	6200050	Screw, #10-12 x 1/2" Pan HD
5	3516010	Molding, Side	24	3530430	Kickplate/Grille
6	3421510	Bracket, Unit to Cabinet	25	6201120	Screw, #8-18 x 1.75 Truss SS
7	6200720	Screw, Tap, #8 x 1/2" PH FL HD	26	6201330	Screw, #8 PH-Pan Head 1"
8	3520420	Insert / Diffuser Stand-off	27	0168880	Pan, Drain
9	4161140	Light Diffuser Assy	28	4134410	Drawer Assy, Top
10	3516451	Molding, Top RH	29	4134420	Drawer Assy, Bottom w/IM
	3516452	Molding, Top LH	30	0234680	Cover, Heat Exchanger
11	3602320	Shelf, Glass Cantilever	31	3412080	Ice Bucket
12	3602270	Shelf Ladder, Left	32	3511040	3" Wire Pull (with IM only)
13	6200710	Screw, #8-18 x 3/8" Fillister HD	33	6200080	Screw, #8-15 x 1/2" (with IM only)
14	3602280	Shelf Ladder, Right		3550400	Hole Plug (w/o IM only)
15	6201270	Screw, #8-18 x 5/8" PH PN SS-Gnd	34	3412420	Filler Plate, Drawer (w/o IM only)
16	3541020	Drawer Closer	35	6200710	Screw, #8-18 x 3/8" Fillister HD
17	6200110	Screw, #10-12 x 5/8" Truss SS	36	4181330	Lower Glass Tray
18	3550720	White Thread Pin	37	4161310	Cold Plate Assy, Lower
19	4134430	Drawer Assy, Slide-RH	38	0260350	Enclosure, Switch
20	6201140	Screw, 1/4-20 x 1/2" Sems But HD	39	4281130	Cold Plate Assy, Uptr
21	4134440	Drawer Assy, Slide-LH	40	4152070	Trim Assy, Top

NOT PICTURED

3580170	Nameplate
3754220	Door Panel Drilling Template
3421460	Bracket-Unit to Unit

700TF/I-2 & 700TF/I-2V COSMETIC VIEW





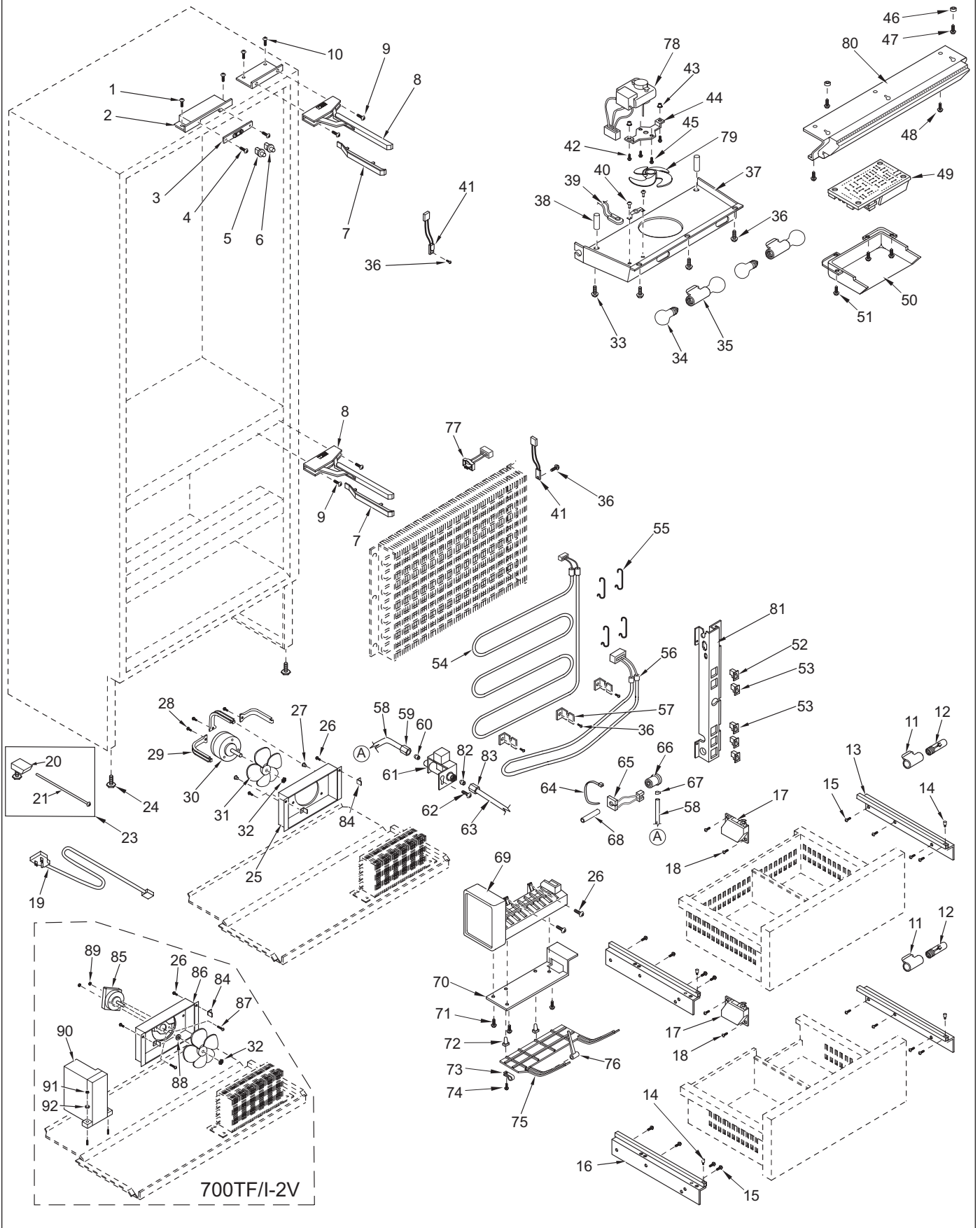
700TF/I-2 & 700TF/I-2V MECHANICAL VIEW PARTS LIST

Ref #	Part #	Description	Ref #	Part #	Description
1	6200010	Screw, #10-12 x 3/4" Pan HD	48	6201270	Screw, #8-18 x 5/8" PH PN SS-Gnd
2	0212470	Box, Ref Switch	49	4203320	Pckg, Cntrl Board (See SN Breaks)
3	3450920	Bracket, Switch Mounting		4203520	Pckg, Cntrl Board (See SN Breaks)
4	6200210	Screw, #8-32 x 1/2" Flat Head		4203790	Pckg, Cntrl Board (See SN Breaks)
5	3060030	Light Switch, N/C		4324860	Wire Hrns,Cntrl Brd (See SN Breaks)
6	3060020	Fan Switch, N/O	50	4152050	Cover Assy, Control
7	3541050	Hinge Cover	51	6201270	Screw, #8-18 x 5/8" PH PN SS-Gnd
8	3541031	Hinge Assy, TOP - RH	52	3060140	SPST Light Switch
	3541032	Hinge Assy, TOP - LH	53	3060130	SPST Fan/Icemaker Switch
	3541041	Hinge Assy, MDL - RH	54	4324890	Heater Assy, Defrost
	3541042	Hinge Assy, MDL - LH	55	1801100	Heater Clip
9	6201140	Screw, 1/4-20 x 1/2" Sems But HD	56	3070150	Heater, Drain Trough
10	6200780	Screw, #10-24 x 1/2" PH Hex Wash	57	0234620	Bracket, Heater
11	3050010	Light Socket, 3/4 Sngl (See SN Breaks)	58	2600617	Plastic Water Line
	3050220	Skt,Light Int Base Sngl(See SN Breaks)	59	3520030	Icemaker Nylon Nut, 1/4"
12	3030060	Light Bulb, 25 Watt	60	3520050	Brass Insert, Solenoid
13	4134430	Drawer Assy, Slide-RH	61	4202790	Water Valve
14	3550720	White Thread Pin	62	6200780	Screw, #10-24 x 1/2" PH Hex Wash
15	6201140	Screw, 1/4-20 x 1/2" Sems But HD	63	2604194	Tube, Water Line
16	4134440	Drawer Assy, Slide-LH	64	6120450	Locking Cable Tie 9.7" BLK
17	3541020	Drawer Closer	65	3013820	Fill Tube Heater
18	6200110	Screw, #10-12 x 5/8" Truss SS	66	1607600	Water Inlet Tube
19	4324800	Retractor Assy, Power Cord	67	6220470	Fill Tube Clamp
20	NA	See 4202000	68	2605405	Fill Tube Extension
21	3421500	Adjusting Rod	69	4200520	Modular Icemaker
22	NA	NA	70	0167700	Bracket, Icemaker
23	4202000	Rear Leveler Assembly		6120360	Snap-in Wire Clip (Not Shown)
24	3570060	Bolt, Leveler 3/8-16	71	6201000	Screw #8-32X3/8 Thread Forming
25	4281310	Shroud Assy, Cond Fan	72	6220220	Screw Grommet, 1/32 x 3/8" SQ
	3220370	Grommet, 1/4" X 3/16" (Not Shown)	73	6120280	Clamp, Tube Nylon 3/16"
26	6200010	Screw, #10-12 x 3/4" Pan HD	74	6200140	Screw, #8-15 x 3/8" Truss HD
27	3220360	Grommet, Mtg Brkt	75	3140300	Icemaker Control Arm
28	6201000	Screw #8-32X3/8 Thread Forming	76	3421070	Rod, Connecting
29	0167430	Cond Fan Mtg Brkt (3 Required)	77	3082090	Defrost Terminator
30	4200740	Motor Pkg, Cond Fan	78	4200160	Fre Fan Motor
31	3150320	Fan Blade, Cond -5 prop, 7"	79	3150570	Fan Blade (See SN Breaks)
32	6150410	Nut, 1/4-20		3150640	Fan Blade (See SN Breaks)
33	6201010	Screw, #8-15 x 2" Pan Head	80	4162610	Control Panel Assy
34	3030030	Light Bulb, 40 Watt	81	0260350	Enclosure, Switch
35	3050180	Light Socket, Dbl (See SN Breaks)		4161290	Switch Enclsr Assy
	3050250	Skt, Light M Base Dbl (See SN Breaks)			(700TFI-2, 700TFI-2V)
36	6201270	Screw, #8-18 x 5/8" PH PN SS-Gnd		4161770	Switch Enclsr Assy
37	4281140	Shroud Assy, Fan (See SN Breaks)			(700TF-2, 700TF-2V)
	4230540	Shroud Assy, Fan (See SN Breaks)	82	3520370	Compression Sleeve
38	6220540	Screw Grommet/Stand-off, 1.375	83	3520380	Compression Nut
39	3082140	Light Terminator	84	3450290	Angle Bracket
40	6180010	Pop Rivet, 1/8"	85	4203780	Motor Pkg, Cond. Fan, Slow Speed
41	3014350	Thermistor	86	4281430	Shroud Assy, Cond Fan
42	6201470	Screw, #8-32X3/4 SS	87	6201440	Screw, #8-32 X 1-3/4 Phil Hd
43	6150850	Wellnut, #8-32	88	3210340	Neoprene Silencer, 7/8"
44	0260370	Bracket, Fan	89	6201450	Nut, #8-32
45	6110270	Bolt, #10-32 x 1/4" RD HD	90	4203770	Box, Control, VS Compressor
46	6160240	Nylon Spacer	91	6150410	Nut, 1/4-20
47	6200720	Screw, Tap, #8 x 1/2" PH FL HD	92	6240040	Flat Washer, 1/4"

NOT PICTURED

0167550 Anti-Tip Bracket

700TF/I-2 & 700TF/I-2V MECHANICAL VIEW

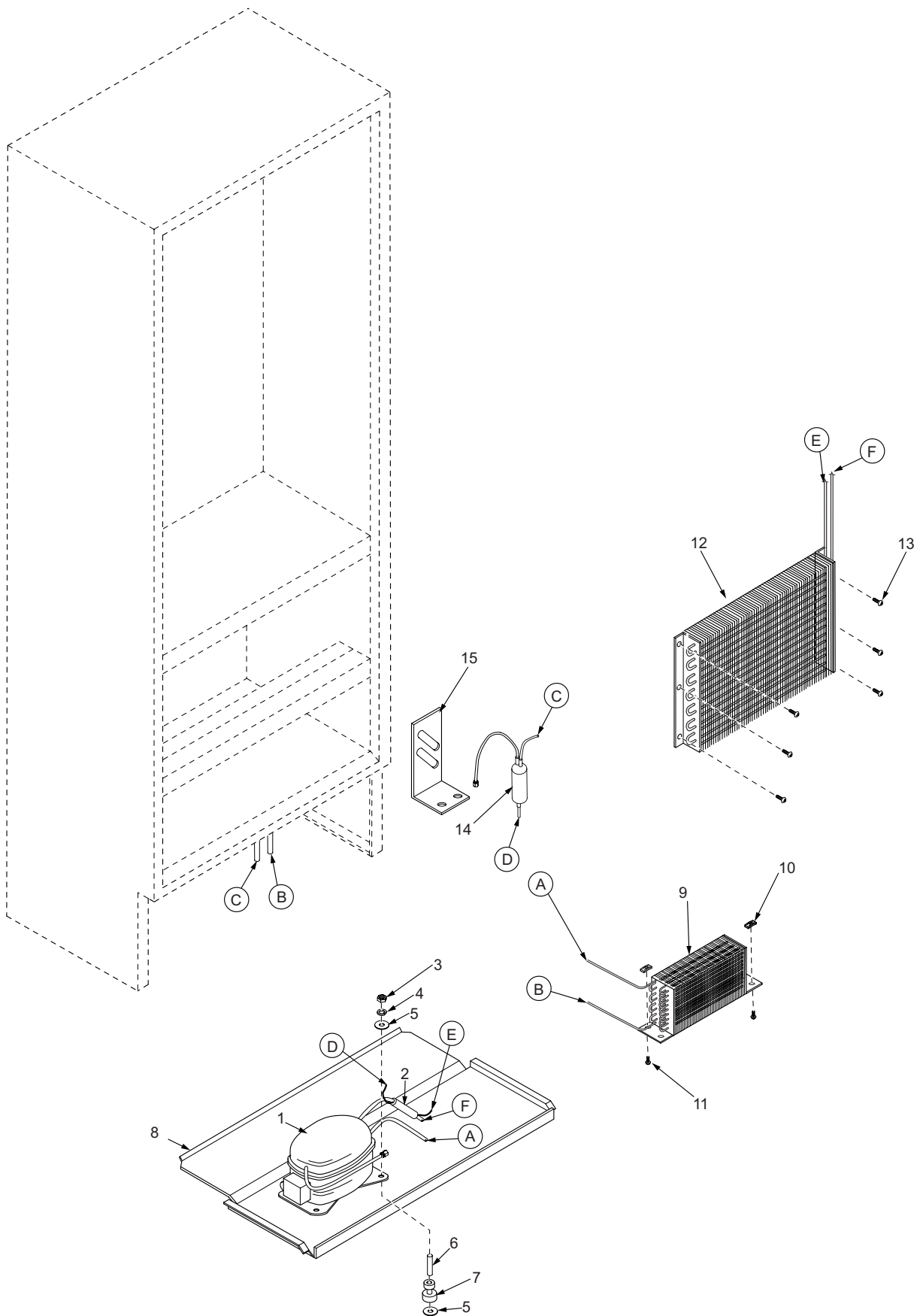


700TF/I-2 & 700TF/I-2V SEALED SYSTEM VIEW PARTS LIST

<u>Ref #</u>	<u>Part #</u>	<u>Description</u>
1	4202250	Compressor, Freezer (DA73) for 700TF/I-2
	4203760	Comp, Variable Speed (EMB VEGT-7) for 700TF/I-2V
	3111350	Relay (For RG108 Comp)
	3111420	Overload (For RG108 Comp)
	3111133	Capacitor (For RG108 Comp)
	3111041	Relay (For DA 73 Comp)
	3111430	Overload (For DA 73 Comp)
	3111070	Capacitor (For DA 73 Comp)
	3111212	Relay (For EGU80HLC Comp)
	3111620	Overload (For EGU80HLC Comp)
	3111270	Capacitor (For EGU80HLC Comp)
	4323520	Wire Harness, Run Capacitor (For RG108 Comp)
	0167620	Capacitor Mount Bracket
2	4251510	Heat Exchanger, Fre
3	6150220	Nut, 5/16-18 Hex Zinc
4	6240090	Lock Washer, 5/16"
5	6240050	Flat Washer, 5/16"
6	6160070	Sleeve, 5/16 x 7/16 x 7/8"
7	3150170	Rubber Grommet, Large, 15/16"
8	4311110	Unit Tray Assembly
9	3120400	Condenser
10	6150080	Nut-Flat, #10-24
11	6110020	Bolt, #10-24 x 3/8" Truss HD
12	3130540	Evaporator, Freezer
13	6201270	Screw, #8-18 x 5/8" PH PN SS-Gnd
14	3014230	Filter-Drier, High Side
15	0260340	Bracket, Drier

NOTE: For 700TF/I-2V Compressor Controller, see Mechanical View

700TF/I-2 & 700TF/I-2V SEALED SYSTEM VIEW

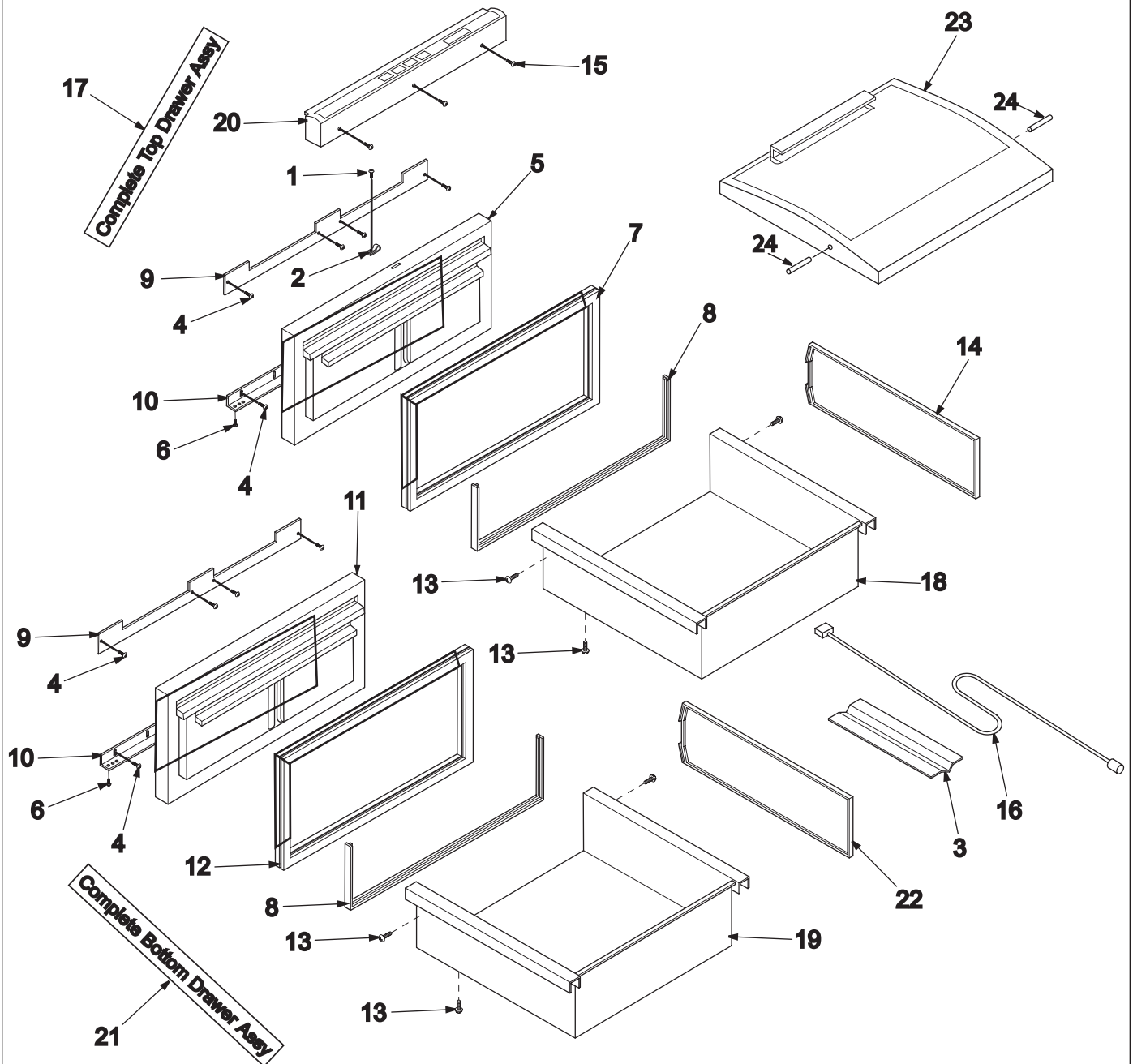


700BR-2 DRAWER VIEW PARTS LIST

<u>Ref #</u>	<u>Part #</u>	<u>Description</u>
1	6200080	Screw, #8-15 x 1/2" Truss HD
2	6120190	Tube Clamp, Steel, 3/16"
3	4202060	Channel, Wire 17.225"
4	6200720	Screw, #8-18 x 1/2 PH Truss HD
5	4131730	Upper Drawer Front Assembly
6	6201500	Screw, #10X3/4 Drill PH Hex Was
7	3211520	Upper Drawer Gasket
8	3211560	Seal, Tub White 37-5/8"
9	0183580	Drawer Panel Bracket-Upper
10	0183590	Drawer Panel Bracket-Lower
11	4131740	Lower Drawer Front Assy
12	3211540	Lower Drawer Gasket
13	6200110	Screw, #10-12 x 5/8" Truss SS
14	3601340	Upper Drawer Divider
15	6200700	Screw, #6-20 x 5/8" PH Flat HD SS
16	3022950	Cable Assy, Control
17	4131660	Drawer Assy, Upr
18	3412130	Tub, Upr Drawer
19	3412150	Tub, Lwr Drawer
20	4203340	Panel Assy, Control
21	4131680	Drawer Assy, Lwr
22	3601350	Lower Drawer Divider
23	3470320	Crisper Lid Assembly
24	3412240	Pin, Crisper (2)

NOTE: *Drawer panels on this model are a sales accessory. For part numbers of complete door panel sets or components of the door panel sets, contact the factory.*

700BR-2 DRAWER VIEW



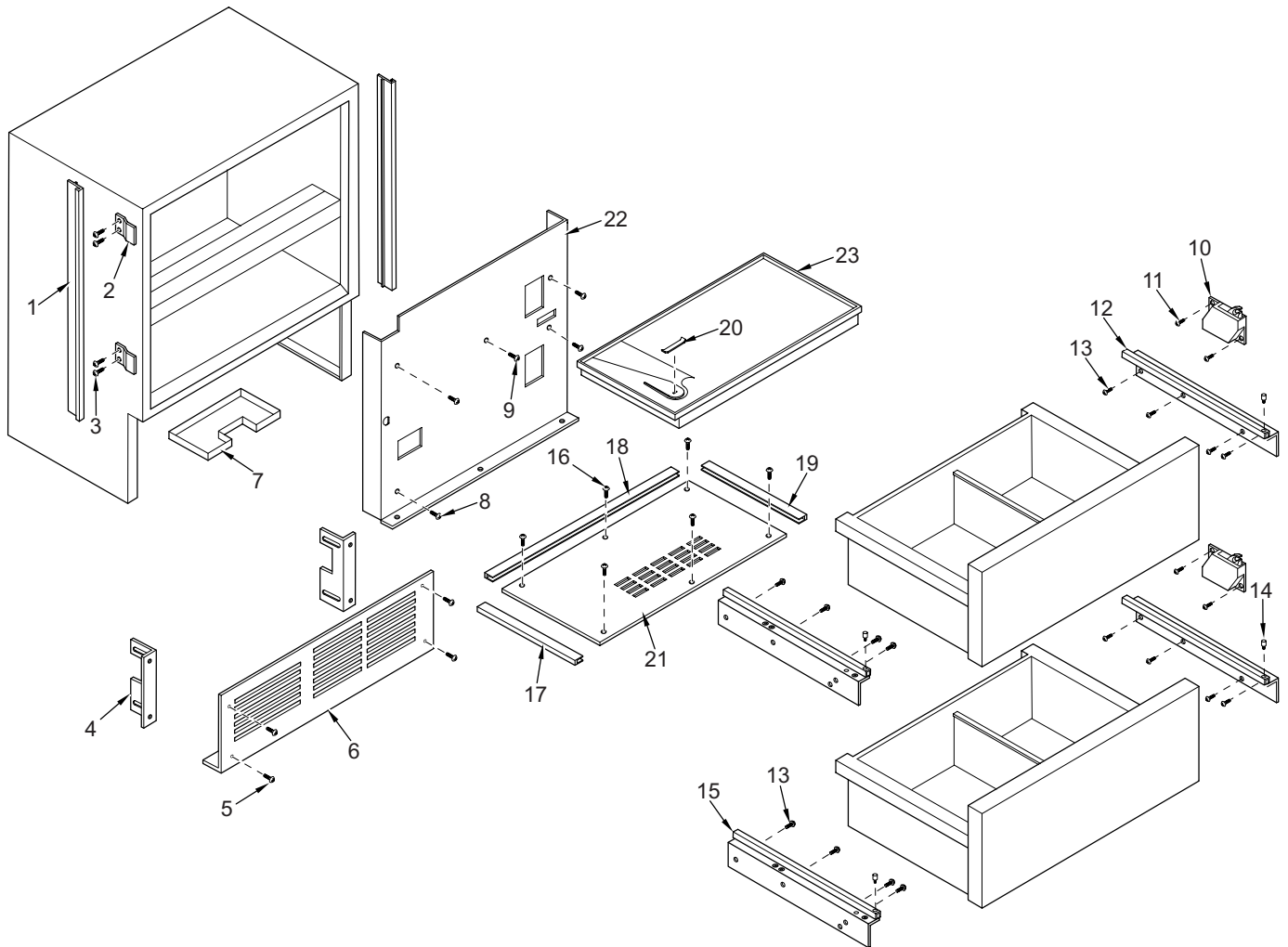
700BR-2 COSMETIC VIEW PARTS LIST

<u>Ref #</u>	<u>Part #</u>	<u>Description</u>
1	3516020	Side Molding
2	3421510	Bracket, Unit to Cabinet
3	6200720	Screw, Tap, #8 x 1/2" PH FL HD
4	0167661	Kickplate Bracket - RS
	0167662	Kickplate Bracket - LS
	6200780	Screw, #10-24 x 1/2" PH Hex
5	6200050	Screw, #10-12 x 1/2" Pan HD
6	3530430	Kickplate/Grille
7	0167450	Drain Pan
8	6201120	Screw, #8-18 x 1.75 Truss SS
9	6200060	Screw, #8-32 x 1/2" Pan HD
10	3541020	Drawer Closer
11	6200110	Screw, #10-12 x 5/8" Truss SS
12	4134430	Drawer Assy, Slide-RH
13	6201140	Screw, 1/4-20 x 1/2" Sems But HD
14	3550720	White Thread Pin
15	4134440	Drawer Assy, Slide-LH
16	6201270	Screw, #8-18 x 5/8" PH PN SS-Gnd
17	3211492	Sump Cover Seal-LS
18	3211493	Sump Cover Seal-Back
19	3211491	Sump Cover Seal-RS
20	3450780	Wire Clip
21	0167640	Evaporator Sump Cover
22	4151680	Air Duct Assembly
23	4151560	Lower Mullion Divider Assembly

NOT PICTURED

3580170	Nameplate
3754220	Door Panel Drilling Template
3421460	Bracket-Unit to Unit

700BR-2 COSMETIC VIEW



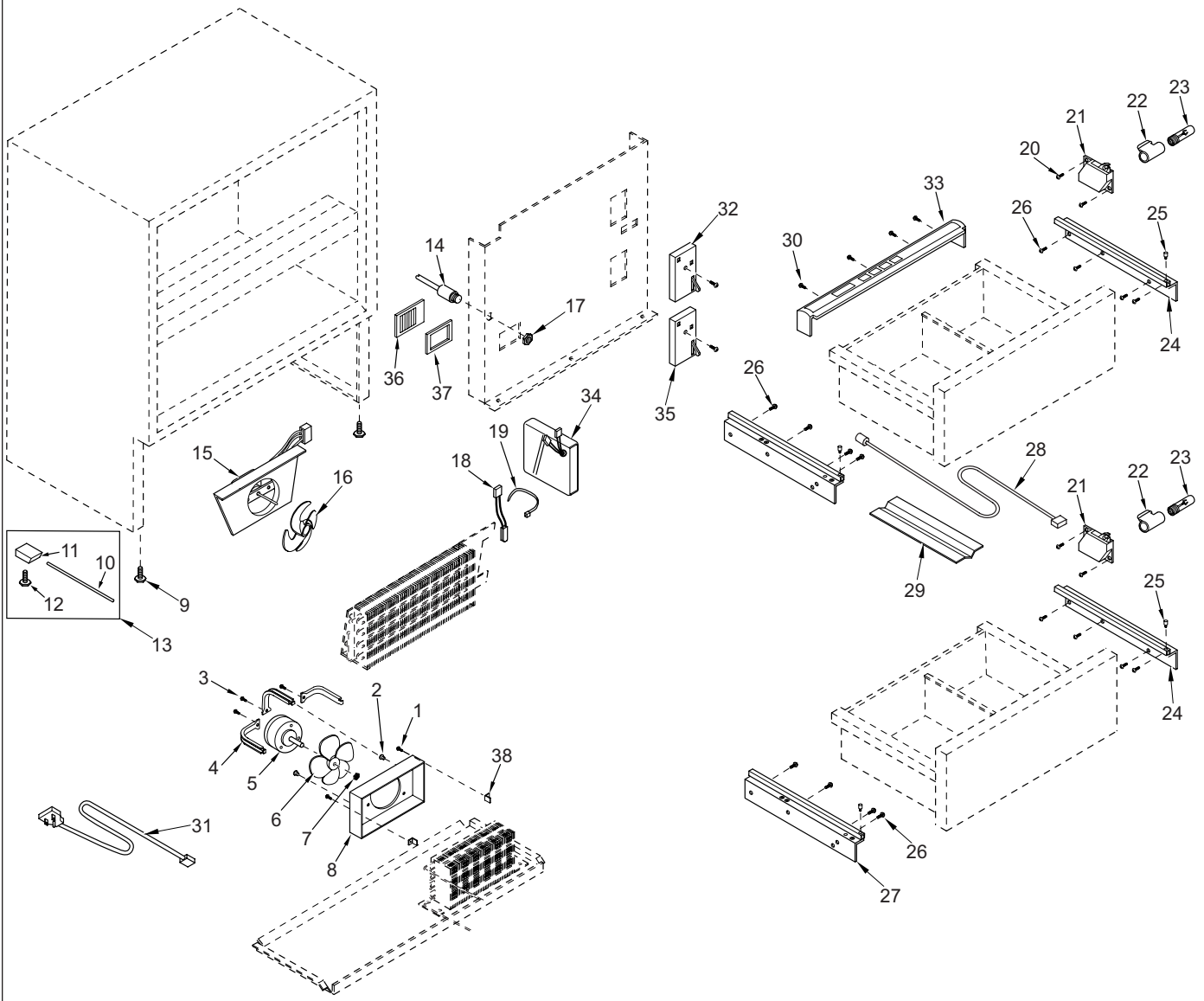
700BR-2 MECHANICAL VIEW PARTS LIST

<u>Ref #</u>	<u>Part #</u>	<u>Description</u>
1	6200010	Screw, #10-12 x 3/4" Pan HD
2	3220360	Grommet, Mtg Brkt
3	6201000	Screw #8-32X3/8 Thread Forming
4	0167430	Cond Fan Mtg Brkt (3 Required)
5	4200740	Motor Pkg, Cond Fan
6	3150320	Fan Blade, Cond -5 prop, 7"
7	6150410	Nut, 1/4-20
8	4281320	Shroud Assy, Condenser Fan
	3220370	Grommet, 1/4" X 3/16" (Not Shown)
9	3570060	Bolt, Leveler 3/8-16
10	3421500	Adjusting Rod
11	NA	See 4202000
12	NA	See 4202000
13	4202000	Rear Leveler Assembly
14	4202770	Cabinet Wire Hrns Rpl Pkg
15	4201940	Evap Fan Motor Assy
16	3150060	Fan Blade, 5 prop; 5-1/2"
17	6150800	Plastic Hex Nut, 5/8-27 UNS-2A
18	4323800	Coil Sensor/Thermistor
19	6120450	Locking Cable Tie 9.7" BLK
20	6200110	Screw, #10-12 x 5/8" Truss SS
21	3541020	Drawer Closer
22	3050010	Light Socket, 3/4 Single (See SN Breaks)
	3050220	Skt, Light Int Base Sngl (See SN Breaks)
23	3030060	Light Bulb, 25 Watt
24	4134430	Drawer Assy, Slide-RH
25	3550720	White Thread Pin
26	6201140	Screw, 1/4-20 x 1/2" Sems But HD
27	4134440	Drawer Assy, Slide-LH
28	3022950	Cable Assy, Control
29	4202060	Channel, Wire 17.225"
30	6200700	Screw, #6-20 x 5/8" PH Flat HD SS
31	4324800	Retractor Assy, Power Cord
32	4202580	Reed Switch
33	4203340	Cntrl Pnl Assy
34	4203360	Board Assy, Control
35	4202580	Reed Switch
36	3014140	Baffle Control
37	3211440	Baffle Control Gasket
38	3450290	Angle Bracket

NOT PICTURED

0167550 Anti-Tip Bracket

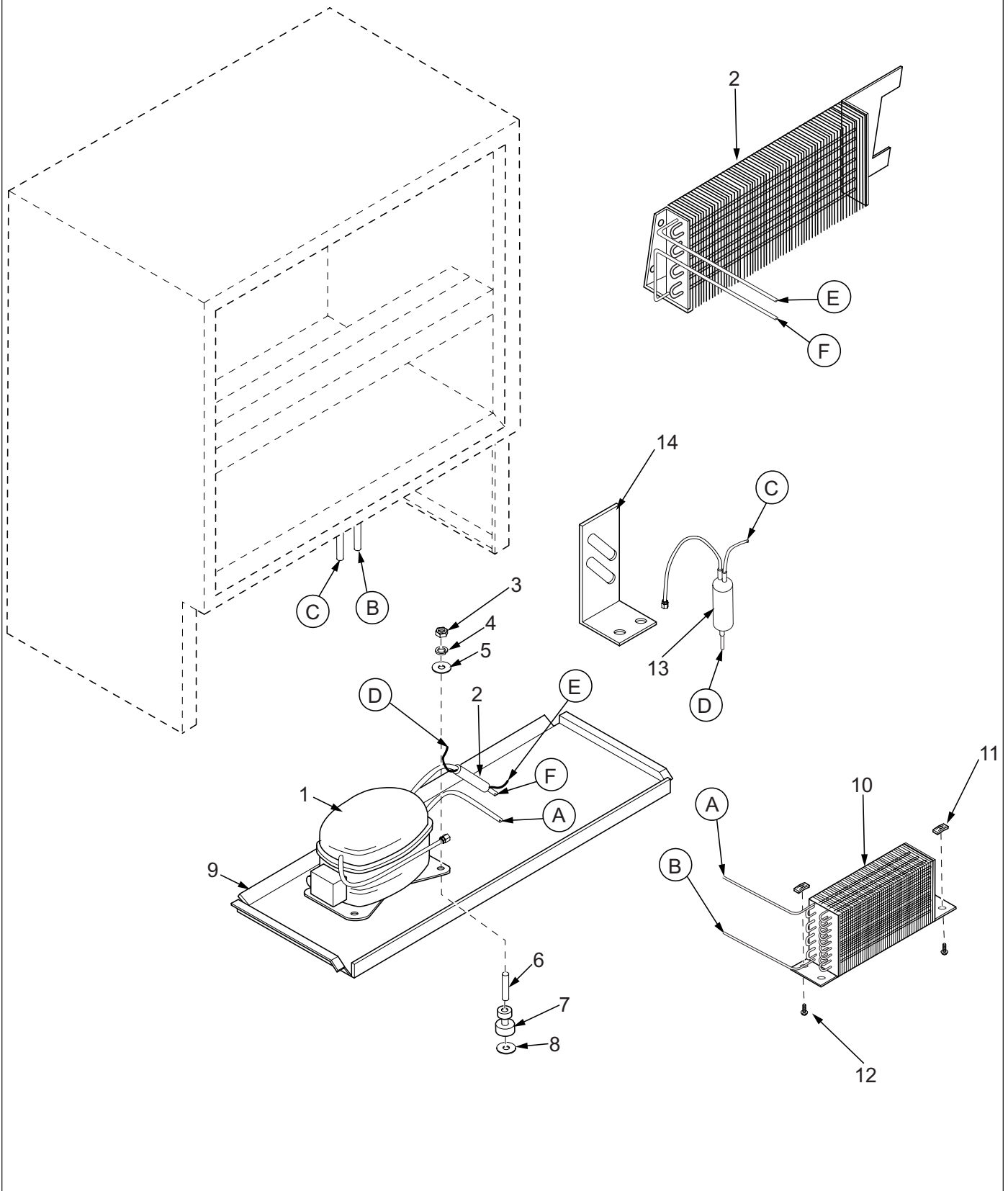
700BR-2 MECHANICAL VIEW



700BR-2 SEALED SYSTEM VIEW PARTS LIST

<u>Ref #</u>	<u>Part #</u>	<u>Description</u>
1	4201880	Service Comp, Refrig. (EMI30HER)
	3111370	Relay (For EMI30HER Comp)
	3111410	Overload (For EMI30HER Comp)
	3111212	Relay (For EMT30HSC Comp)
2	4203370	Evaporator/Heat-X Assy
3	6150220	Nut, 5/16-18 Hex Zinc
4	6240090	Lock Washer, 5/16"
5	6240050	Flat Washer, 5/16"
6	6160070	Sleeve, 5/16 x 7/16 x 7/8"
7	3150170	Rubber Grommet, Large, 15/16"
8	6240050	Flat Washer, 5/16"
9	4311120	Unit Tray Assembly
10	3120310	Condenser
11	6150080	Nut-Flat, #10-24
12	6110020	Bolt, #10-24 x 3/8" Truss HD
13	3014230	Filter-Drier, High Side
14	0260340	Bracket, Drier

700BR-2 SEALED SYSTEM VIEW

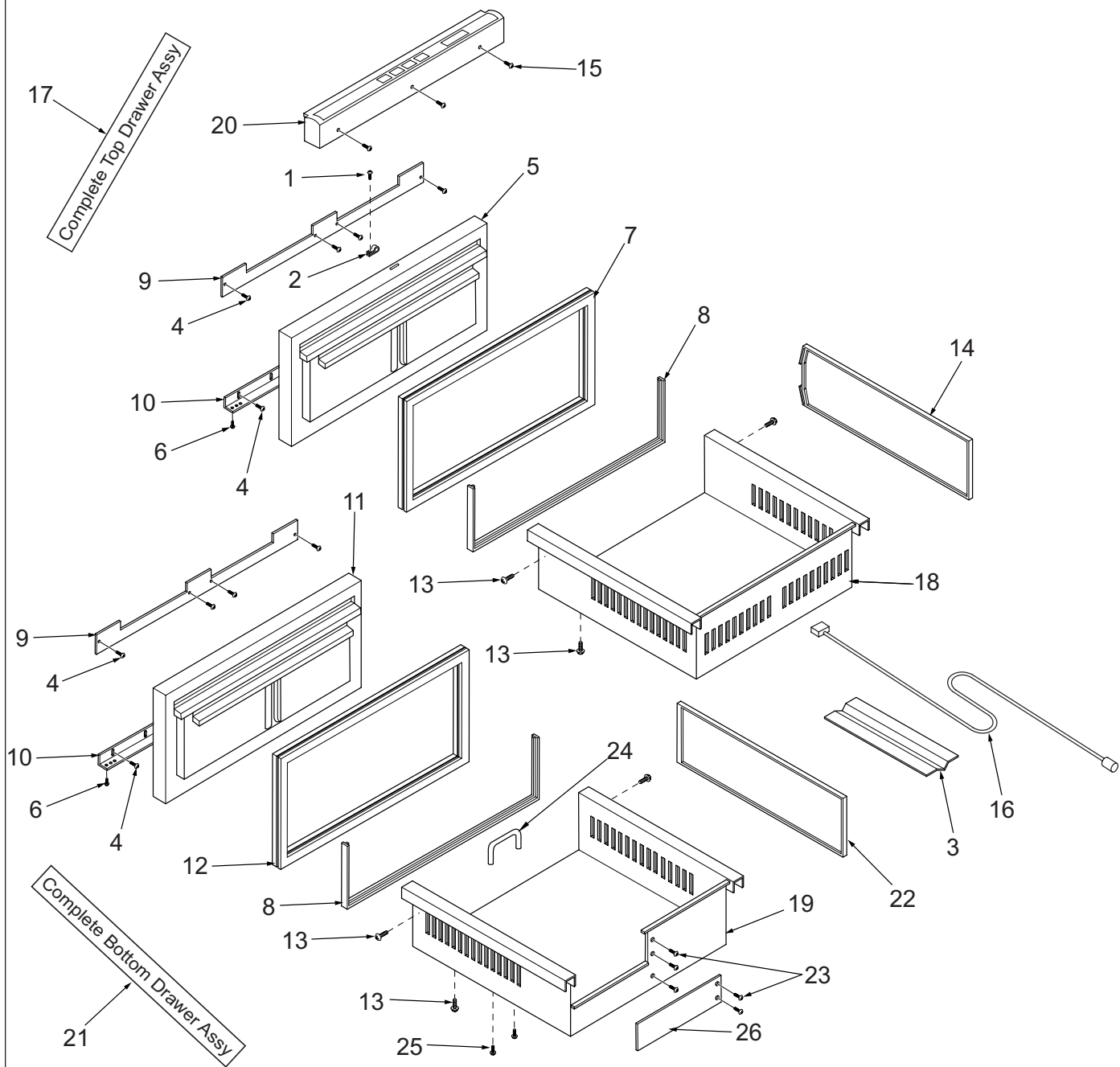


700BF/I-2 DRAWER VIEW PARTS LIST

<u>Ref #</u>	<u>Part #</u>	<u>Description</u>
1	6200080	Screw, #8-15 x 1/2" Truss HD
2	6120190	Tube Clamp, Steel, 3/16"
3	4202060	Channel, Wire 17.225"
4	6200720	Screw, #8-18 x 1/2 PH Truss HD
5	4131730	Upper Drawer Front Assembly
6	6201500	Screw, #10X3/4 Drill PH Hex Was
7	3211520	Upper Drawer Gasket
8	3211560	Seal, Tub White 37-5/8"
9	0183580	Drawer Panel Bracket-Upper
10	0183590	Drawer Panel Bracket-Lower
11	4131740	Lower Drawer Front Assy
12	3211540	Lower Drawer Gasket
13	6200110	Screw, #10-12 x 5/8" Truss SS
14	3601340	Upper Drawer Divider
15	6200700	Screw, #6-20 x 5/8" PH Flat HD SS
16	3022950	Cable Assy, Control
17	4131670	Upper Drawer Assembly
18	3412140	Tub, Upr Drawer
19	3412170	Tub, Lwr Drawer
20	4203350	Cntrl Pnl Assy
21	4131690	Bottom Drawer Assy, Complete
22	3414030	Divider, Bottom Drawer
23	6200710	Screw, #8-18 x 3/8" Fillister HD
24	3511040	3" Wire Pull (with IM only)
25	6200080	Screw, #8-15 x 1/2" Truss HD (with IM only)
	3550400	Hole Plug (w/o IM only)
26	3412420	Filler Plate, Drawer Tub Lower (w/o IM only)

NOTE: Drawer panels on this model are a sales accessory. For part numbers of complete door panel sets or components of the door panel sets, contact the factory.

700BF/I-2 DRAWER VIEW



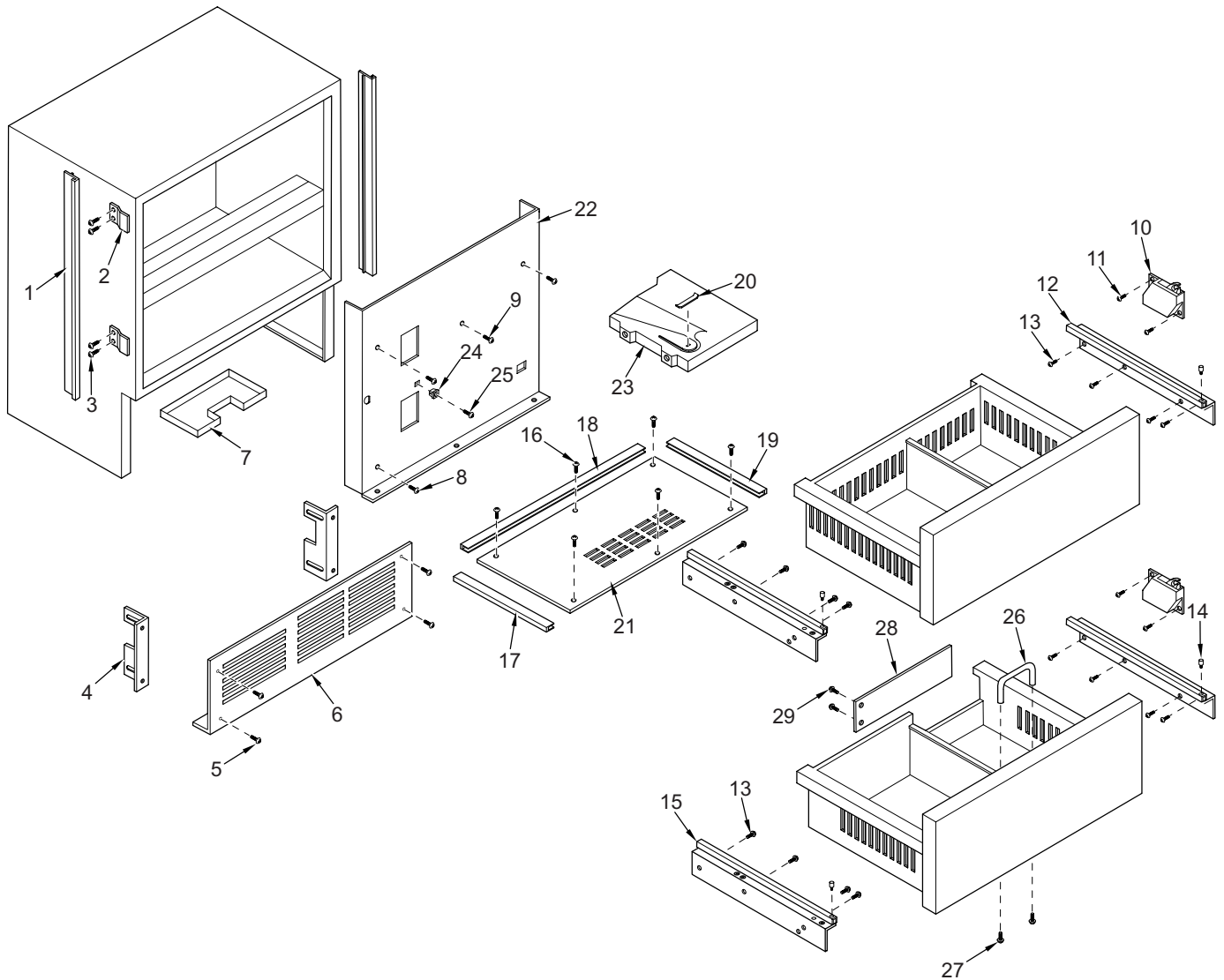
700BF/I-2 COSMETIC VIEW PARTS LIST

<u>Ref #</u>	<u>Part #</u>	<u>Description</u>
1	3516020	Side Molding
2	3421510	Bracket, Unit to Cabinet
3	6200720	Screw, Tap, #8 x 1/2" PH FL HD
4	0167661	Kickplate Bracket - RS
	0167662	Kickplate Bracket - LS
	6200780	Screw, #10-24 x 1/2" PH Hex
5	6200050	Screw, #10-12 x 1/2" Pan HD
6	3530430	Kickplate/Grille
7	0167450	Drain Pan
8	6201120	Screw, #8-18 x 1.75 Truss SS
9	6200060	Screw, #8-32 x 1/2" Pan HD
10	3541020	Drawer Closer
11	6200110	Screw, #10-12 x 5/8" Truss SS
12	4134430	Drawer Assy, Slide-RH
13	6201140	Screw, 1/4-20 x 1/2" Sems But HD
14	3550720	White Thread Pin
15	4134440	Drawer Assy, Slide-LH
16	6201270	Screw, #8-18 x 5/8" PH PN SS-Gnd
17	3211492	Sump Cover Seal-LS
18	3211493	Sump Cover Seal-Back
19	3211491	Sump Cover Seal-RS
20	3450780	Wire Clip
21	4151900	Evaporator Sump Cover Assy
22	4151690	Air Duct Assembly
23	0233490	Wire Tray
24	6220220	Screw Grommet, 1/32 x 3/8" SQ
25	6200080	Screw, #8-15 x 1/2" Truss HD
26	3511040	3" Wire Pull (with IM only)
27	6200080	Screw, #8-15 x 1/2" Truss HD (with IM only)
	3550400	Hole Plug (w/o IM only)
28	3412420	Filler Plate, Drawer Tub Lower (w/o IM only)
29	6200710	Screw, #8-18 x 3/8" Fillister HD

NOT PICTURED

3580170	Nameplate
3754220	Door Panel Drilling Template
3421460	Bracket-Unit to Unit

700BF/I-2 COSMETIC VIEW





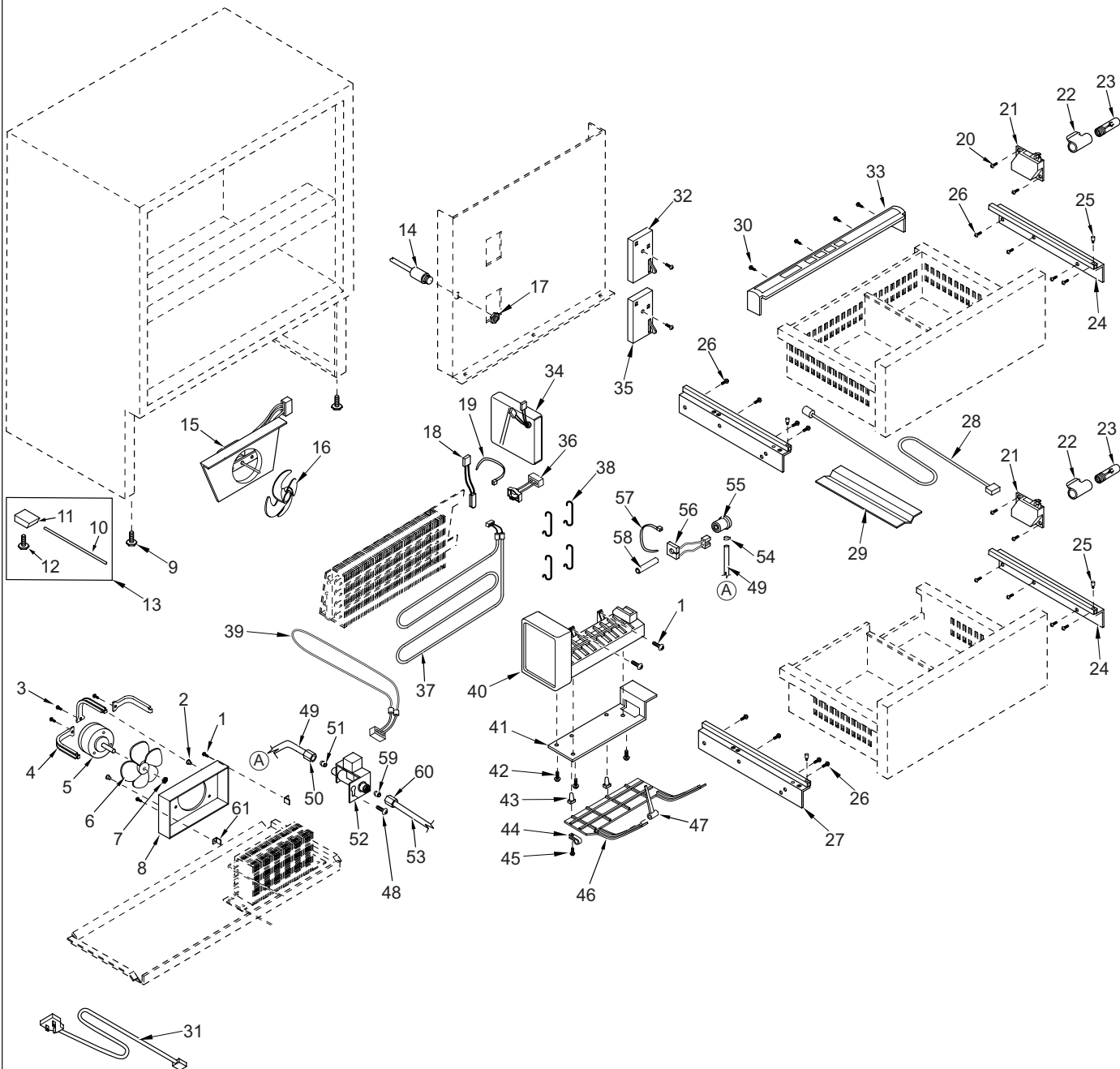
700BF/I-2 MECHANICAL VIEW PARTS LIST

<u>Ref #</u>	<u>Part #</u>	<u>Description</u>	<u>Ref #</u>	<u>Part #</u>	<u>Description</u>
1	6200010	Screw, #10-12 x 3/4" Pan HD	31	4324800	Retractor Assy, Power Cord
2	3220360	Grommet, Mtg Brkt	32	4202580	Reed Switch
3	6201000	Screw #8-32X3/8 Thread Forming	33	4203350	Cntrl Pnl Assy
4	0167430	Cond Fan Mtg Brkt (3 Required)	34	4203360	Board Assy, Control
5	4200740	Motor Pkg, Cond Fan	35	4202570	Reed Switch
6	3150320	Fan Blade, Cond -5 prop, 7"	36	3082090	Defrost Terminator
7	6150410	Nut, 1/4-20	37	3070020	Defrost Heater
8	4281320	Shroud Assy, Condenser Fan	38	1801100	Heater Clip
	3220370	Grommet, 1/4" X 3/16" (Not Shown)	39	3013540	Drain Tube Heater
9	3570060	Bolt, Leveler 3/8-16	40	4200520	Modular Icemaker
10	3421500	Adjusting Rod	41	0167700	Bracket, Icemaker
11	NA	See 4202000		6120360	Snap-in Wire Clip (Not Shown)
12	NA	See 4202000	42	6201000	Screw #8-32X3/8 Thread Forming
13	4202000	Rear Leveler Assembly	43	6220220	Screw Grommet, 1/32 x 3/8" SQ
14	4202770	Cabinet Wire Hrns Rpl Pkg	44	6120280	Clamp, Tube Nylon 3/16"
15	4201940	Evap Fan Motor Assy	45	6200140	Screw, #8-15 x 3/8" Truss HD
16	3150060	Fan Blade, 5 prop; 5-1/2"	46	3140300	Icemaker Control Arm
17	6150800	Plastic Hex Nut, 5/8-27 UNS-2A	47	3421070	Rod, Connecting
18	4323800	Coil Sensor/Thermistor	48	6200780	Screw, #10-24 x 1/2" PH Hex Wash
19	6120450	Locking Cable Tie 9.7" BLK	49	2600617	Plastic Water Line
20	6200110	Screw, #10-12 x 5/8" Truss SS	50	3520030	Icemaker Nylon Nut, 1/4"
21	3541020	Drawer Closer	51	3520050	Brass Insert, Solenoid
22	3050010	Light Skt,3/4 Sngl (See SN Breaks)	52	4202790	Water Valve
	3050220	Skt,Lit Int Bs Sngl (See SN Breaks)	53	2604194	Tube, Water Line
23	3030060	Light Bulb, 25 Watt	54	6220470	Fill Tube Clamp
24	4134430	Drawer Assy, Slide-RH	55	1607600	Water Inlet Tube
25	3550720	White Thread Pin	56	4202310	Fill Tube Htr/IM Harness
26	6201140	Screw, 1/4-20 x 1/2" Sems But HD	57	6120450	Locking Cable Tie 9.7" BLK
27	4134440	Drawer Assy, Slide-LH	58	2605405	Fill Tube Extension
28	3022950	Cable Assy, Control	59	3520370	Compression Sleeve
29	4202060	Channel, Wire 17.225"	60	3520380	Compression Nut
30	6200700	Screw, #6-20 x 5/8" PH Flat HD SS	61	3450290	Angle Bracket

NOT PICTURED

0167550 Anti-Tip Bracket

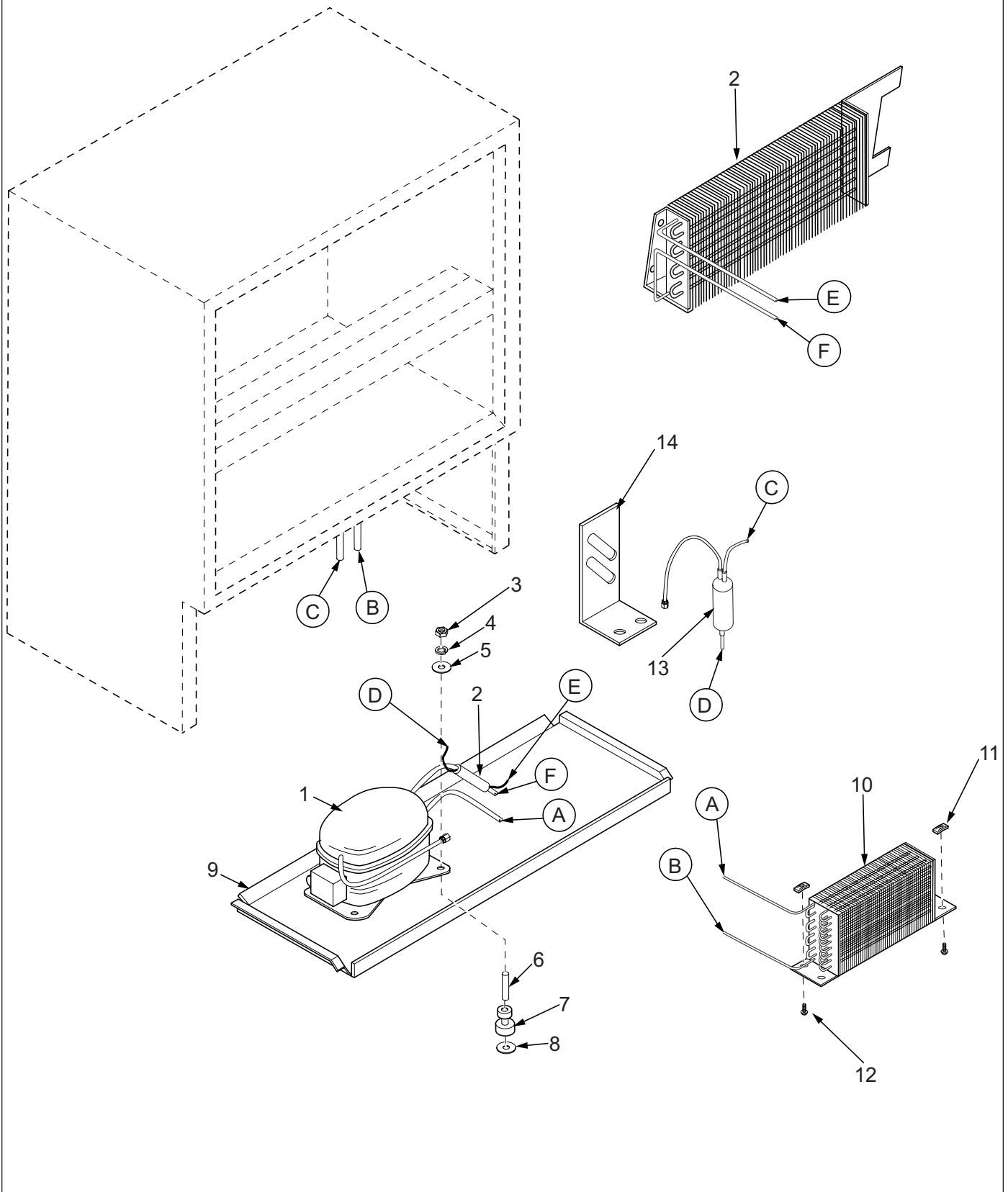
700BF/I-2 MECHANICAL VIEW



700BF/I-2 SEALED SYSTEM VIEW PARTS LIST

<u>Ref #</u>	<u>Part #</u>	<u>Description</u>
1	4201860	Service Comp (FGS70)
	3111350	Relay (For FGS70 Comp)
	3111380	Overload (For FGS70 Comp)
	3111270	Capacitor (For FGS70 Comp)
	3111212	Relay (For EGU70HLC Comp)
	3111610	Overload (For EGU70HLC Comp)
	3111270	Capacitor (For EGU70HLC Comp)
	4323520	Wire Harness, Run Capacitor
	0167620	Capacitor Mount Bracket
2	4201930	Evaporator/Heat-X Assy
3	6150220	Nut, 5/16-18 Hex Zinc
4	6240090	Lock Washer, 5/16"
5	6240050	Flat Washer, 5/16"
6	6160070	Sleeve, 5/16 x 7/16 x 7/8"
7	3150170	Rubber Grommet, Large, 15/16"
8	6240050	Flat Washer, 5/16"
9	4311120	Unit Tray Assembly
10	3120310	Condenser
11	6150080	Nut-Flat, #10-24
12	6110020	Bolt, #10-24 x 3/8" Truss HD
13	3014230	Filter-Drier, High Side
14	0260340	Bracket, Drier

700BF/I-2 SEALED SYSTEM VIEW



MODULAR ICEMAKER PARTS LIST

<u>Ref #</u>	<u>Part #</u>	<u>Description</u>
1	4200520	Modular Icemaker
2	627790	Support/IM Housing
3	489163	Screw #10-32 X 43/64
4	628366	Module & Motor Assembly
5	681249	Screw
6	3140160	Icemaker Cover
7	627796	Thermostat Retainer
8	627985	Thermostat
9	627843	Ejector
10	628356	Bearing & Inlet
11	628228	Mold & Heater Assembly
12	627788	Ice Stripper

MODULAR ICEMAKER VIEW

